

LEUCOS

You spot it from afar

PRICE LIST

Edition: September 2024

Alle Preise zzgl. ges. MwSt.

LEUC

03-20	AELLA	
	04-06	Pendant L - Sospensione L
	04	AELLA S 54 L
	05	AELLA S 45 L
	06	AELLA S 30 L
	07-11	Pendant - Sospensione
	07	AELLA S 54
	08	AELLA S 45
	09	AELLA S 30
	10-11	Color finishes - Colori finiture
	12-16	Table - Tavolo
	12	AELLA T 54
	13	AELLA T 45
	14	AELLA T 30
	15-16	Color finishes - Colori finiture
17-18	AELLA T 45 OPENWORKED	
19-20	AELLA TR 45	
21-45	STACKING	
	21-29	Pendant Horizontal - Sospensione Orizzontale
	22-23	STACKING S 180 H
	24-25	STACKING S 120 H
	26	STACKING S 180 H RIG
	27	STACKING S 120 H RIG
	28	STACKING S 180 H Naked
	29	STACKING S 120 H Naked
	30-41	Pendant Vertical - Sospensione Verticale
	30-31	STACKING S 90 V
	32-33	STACKING S 60 V
	34-35	STACKING S 30 V
	36	STACKING S 90 V RIG
	37	STACKING S 60 V RIG
	38	STACKING S 30 V RIG
	39	STACKING S 90 V Naked
	40	STACKING S 60 V Naked
	41	STACKING S 30 V Naked
	42-45	Floor - Terra
	43	STACKING B TR
	44	STACKING C TR
	45	STACKING D TR
	46-52	AURELIA
46-49		Pendant 45 - Sospensione 45
47		AURELIA S 45 SS (Single Switch)
48-49		Color Finishes - Colori finiture
50-52		Pendant Bold 22 - Sospensione Bold 22
50	AURELIA BOLD S 22 SS (Single Switch)	
51-52	Color Finishes - Colori finiture	
53-57	LIGHTBODY	
	53-55	Pendant - Sospensione
	54	LIGHTBODY S
	55	Color Finishes - Colori finiture
	56-57	Table - Tavolo
	56	LIGHTBODY T
57	Color Finishes - Colori finiture	
58-63	ETHER	
	53-63	Pendant - Sospensione
	59	ETHER S 150
	60	ETHER S 90
	61	ETHER S
	62-63	Customize your Ether - Personalizza la tua Ether

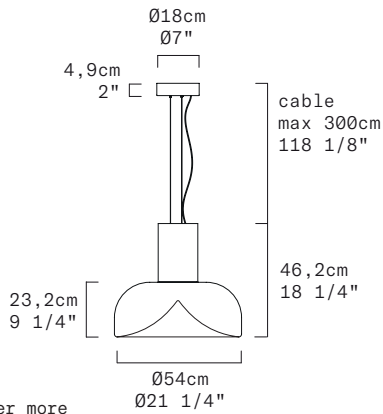


AELLA S 54 L - INDOOR

PENDANT - SOSPENSIONE

Toso & Massari, 2016

Upgraded





Discover more

REPLACEABLE LED



[5]

TECHNICAL SHEET	
MATERIALS	Diffuser: Blown Glass Structure: Metal
DIMENSIONS	Diffuser: $\varnothing 54$ cm H23,2 cm [$\varnothing 21 1/4''$ H9 1/4''] Canopy: $\varnothing 18$ cm H4,9cm [$\varnothing 7''$ H2''] Cable lenght: 300 cm [$118 1/8''$]
CANOPY	Matte white
LIGHT SOURCE	LED 1 X 26,6W 4060lm (nominal) 3000K CRI \geq 90 LED 1 X 26,6W 3808lm (nominal) 2700K CRI \geq 90
DIMMING PROTOCOL	Push-dim; 0/1-10V; Dali
MARKING	 
NET WEIGHT	13,9kg

DIMMING PROTOCOL	Push-dim; 0/1-10V; Dali		
FINISH (DIFFUSER + STRUCTURE)	SOURCE	CODE	UNIT PRICE vat excluded
[1] Transparent with White Spot + Matte White	LED 3000K LED 2700K	0012649 0012650	1.990,00 € 1.990,00 €
[2] Transparent with White Spot + Matte Black	LED 3000K LED 2700K	0012651 0012652	1.990,00 € 1.990,00 €
[3] Transparent with White Spot + Matte Bronze	LED 3000K LED 2700K	0012653 0012654	1.990,00 € 1.990,00 €
[4] Shaded Burgundy + Matte White	LED 3000K LED 2700K	0012655 0012656	1.990,00 € 1.990,00 €
[5] Shaded Burgundy + Matte Black	LED 3000K LED 2700K	0012657 0012658	1.990,00 € 1.990,00 €
[6] Shaded Burgundy + Matte Bronze	LED 3000K LED 2700K	0012659 0012660	1.990,00 € 1.990,00 €
[7] Smoke Grey + Matte White	LED 3000K LED 2700K	0012931 0012932	1.890,00 € 1.890,00 €
[8] Smoke Grey + Matte Black	LED 3000K LED 2700K	0012933 0012934	1.890,00 € 1.890,00 €
[9] Smoke Grey + Matte Bronze	LED 3000K LED 2700K	0012935 0012936	1.890,00 € 1.890,00 €

ON REQUEST

Class 3 version installation with remote driver (supplied without canopy & driver)

DIMMING PROTOCOL	Driver and canopy not included

ON REQUEST

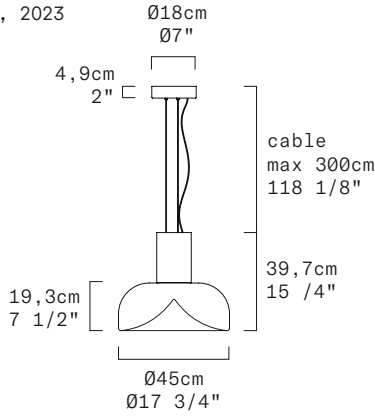
DIMMING PROTOCOL	Push-dim; 0/1-10V; Dali		
FINISH	Source	STRUCTURE	UNIT PRICE vat excluded
[10] [11] [12] Transparent "Pulegoso" with metal powder inclusion	LED 3000K LED 2700K	Matte White Matte Black Matte Bronze	1.990,00 €
[13] [14] [15] Shaded White	LED 3000K LED 2700K	Matte White Matte Black Matte Bronze	1.990,00 €
[16] [17] [18] White Shaded Pink	LED 3000K LED 2700K	Matte White Matte Black Matte Bronze	1.990,00 €
[19] [20] [21] Alabaster with Brush Strikes	LED 3000K LED 2700K	Matte White Matte Black Matte Bronze	1.990,00 €

AELLA S 45 L - INDOOR

PENDANT- SOSPENSIONE

Toso & Massari, 2023

New



Discover more

REPLACEABLE LED



[13]

TECHNICAL SHEET	
MATERIALS	Diffuser: Blown Glass Structure: Metal
DIMENSIONS	Diffuser: H19,3 cm Ø45 cm [7 1/2" Ø17 3/4"] Canopy: Ø18 cm H4,9cm [Ø7" H2"] Cable lenght: 300 cm [118 1/8"]
CANOPY	Matte white
LIGHT SOURCE	LED 1 X 16,6W 2624lm (nominal) 3000K CRI≥90 LED 1 X 16,6W 2461lm (nominal) 2700K CRI≥90
DIMMING PROTOCOL	Push-dim; 0/1-10V; Dali
MARKING	
NET WEIGHT	8,15kg

DIMMING PROTOCOL	Push-dim; 0/1-10V; Dali		
FINISH (DIFFUSER + STRUCTURE)	SOURCE	CODE	UNIT PRICE vat excluded
[1] Transparent with White Spot + Matte White	LED 3000K	0012625	1.370,00 €
	LED 2700K	0012626	1.370,00 €
[2] Transparent with White Spot + Matte Black	LED 3000K	0012627	1.370,00 €
	LED 2700K	0012628	1.370,00 €
[3] Transparent with White Spot + Matte Bronze	LED 3000K	0012629	1.370,00 €
	LED 2700K	0012630	1.370,00 €
[4] Shaded Burgundy + Matte White	LED 3000K	0012925	1.370,00 €
	LED 2700K	0012926	1.370,00 €
[5] Shaded Burgundy + Matte Black	LED 3000K	0012927	1.370,00 €
	LED 2700K	0012928	1.370,00 €
[6] Shaded Burgundy + Matte Bronze	LED 3000K	0012929	1.370,00 €
	LED 2700K	0012930	1.370,00 €
[7] Smoke Grey + Matte White	LED 3000K	0012919	1.250,00 €
	LED 2700K	0012920	1.250,00 €
[8] Smoke Grey + Matte Black	LED 3000K	0012921	1.250,00 €
	LED 2700K	0012922	1.250,00 €
[9] Smoke Grey + Matte Bronze	LED 3000K	0012923	1.250,00 €
	LED 2700K	0012924	1.250,00 €

ON REQUEST

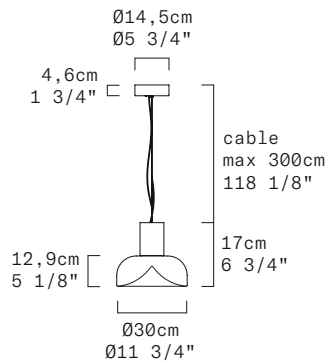
DIMMING PROTOCOL	Push-dim; 0/1-10V; Dali		
FINISH	Source	STRUCTURE	UNIT PRICE vat excluded
[10] [11] [12] Transparent "Pulegoso" with metal powder inclusion	LED 3000K LED 2700K	Matte White	1.370,00 €
		Matte Black	
		Matte Bronze	
[13] [14] [15] Shaded White	LED 3000K LED 2700K	Matte White	1.370,00 €
		Matte Black	
		Matte Bronze	
[16] [17] [18] White Shaded Pink	LED 3000K LED 2700K	Matte White	1.370,00 €
		Matte Black	
		Matte Bronze	
[19] [20] [21] Alabaster with Brush Strikes	LED 3000K LED 2700K	Matte White	1.370,00 €
		Matte Black	
		Matte Bronze	

AELLA S 30 L - INDOOR

PENDANT - SOSPENSIONE

Toso & Massari, 2016

Upgraded



Discover more

REPLACEABLE LED



[1]

TECHNICAL SHEET	
MATERIALS	Diffuser: Blown Glass Structure: Metal
DIMENSIONS	Diffuser: Ø30 cm H12,9 cm [Ø11 3/4" H5 1/8"] Canopy: Ø14,5 cm H4,6cm [Ø5 3/4" H1 3/4"] Cable lenght: 300 cm [118 1/8"]
CANOPY	Matte white
LIGHT SOURCE	LED 1 X 11,9W 1635lm (nominal) 3000K CRI≥90 LED 1 X 11,9W 1535lm (nominal) 2700K CRI≥90
DIMMING PROTOCOL	Push-dim; 0/1-10V; Dali
MARKING	
NET WEIGHT	3,8kg

DIMMING PROTOCOL	Push-dim; 0/1-10V; Dali		
FINISH (DIFFUSER + STRUCTURE)	SOURCE	CODE	UNIT PRICE vat excluded
[1] Transparent with White Spot + Matte White	LED 3000K LED 2700K	0012607 0012608	880,00 € 880,00 €
[2] Transparent with White Spot + Matte Black	LED 3000K LED 2700K	0012609 0012610	880,00 € 880,00 €
[3] Transparent with White Spot + Matte Bronze	LED 3000K LED 2700K	0012611 0012612	880,00 € 880,00 €
[4] Shaded Burgundy + Matte White	LED 3000K LED 2700K	0012613 0012614	880,00 € 880,00 €
[5] Shaded Burgundy + Matte Black	LED 3000K LED 2700K	0012615 0012616	880,00 € 880,00 €
[6] Shaded Burgundy + Matte Bronze	LED 3000K LED 2700K	0012617 0012618	880,00 € 880,00 €
[7] Smoke Grey + Matte White	LED 3000K LED 2700K	0012913 0012914	790,00 € 790,00 €
[8] Smoke Grey + Matte Black	LED 3000K LED 2700K	0012915 0012916	790,00 € 790,00 €
[9] Smoke Grey + Matte Bronze	LED 3000K LED 2700K	0012917 0012918	790,00 € 790,00 €

ON REQUEST

Class 3 version installation with remote driver
(supplied without canopy & driver)

DIMMING PROTOCOL	Driver and canopy not included

ON REQUEST

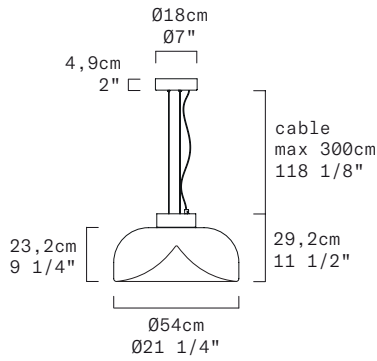
DIMMING PROTOCOL	Push-dim; 0/1-10V; Dali		
FINISH	Source	STRUCTURE	UNIT PRICE vat excluded
[10] [11] [12] Transparent "Pulegoso" with metal powder inclusion	LED 3000K LED 2700K	Matte White Matte Black Matte Bronze	880,00 €
[13] [14] [15] Shaded White	LED 3000K LED 2700K	Matte White Matte Black Matte Bronze	880,00 €
[16] [17] [18] White Shaded Pink	LED 3000K LED 2700K	Matte White Matte Black Matte Bronze	880,00 €
[19] [20] [21] Alabaster with Brush Strikes	LED 3000K LED 2700K	Matte White Matte Black Matte Bronze	880,00 €

AELLA S 54 - INDOOR

PENDANT - SOSPENSIONE

Toso & Massari, 2016

Upgraded





Discover more

REPLACEABLE LED



[5]

TECHNICAL SHEET	
MATERIALS	Diffuser: Blown Glass Structure: Metal
DIMENSIONS	Diffuser: Ø54 cm H23,2 cm [Ø21 1/4" H9 1/8"] Canopy: Ø18 cm H4,9cm [Ø7 3/32" H1 15/16"] Cable lenght: 300 cm [118 1/8"]
CANOPY	Matte white
LIGHT SOURCE	LED 1 X 26,6W 4060lm (nominal) 3000K CRI≥90 LED 1 X 26,6W 3808lm (nominal) 2700K CRI≥90
DIMMING PROTOCOL	Push-dim; 0/1-10V; Dali
MARKING	 
NET WEIGHT	13kg

DIMMING PROTOCOL	Push-dim; 0/1-10V; Dali		
FINISH (DIFFUSER + STRUCTURE)	SOURCE	CODE	UNIT PRICE vat excluded
[1] Transparent with White Spot + Matte White	LED 3000K LED 2700K	0012740 0012741	1.990,00 € 1.990,00 €
[2] Transparent with White Spot + Matte Black	LED 3000K LED 2700K	0012742 0012743	1.990,00 € 1.990,00 €
[3] Transparent with White Spot + Matte Bronze	LED 3000K LED 2700K	0012744 0012745	1.990,00 € 1.990,00 €
[4] Shaded Burgundy + Matte White	LED 3000K LED 2700K	0012746 0012747	1.990,00 € 1.990,00 €
[5] Shaded Burgundy + Matte Black	LED 3000K LED 2700K	0012748 0012749	1.990,00 € 1.990,00 €
[6] Shaded Burgundy + Matte Bronze	LED 3000K LED 2700K	0012750 0012751	1.990,00 € 1.990,00 €
[7] Smoke Grey + Matte White	LED 3000K LED 2700K	0012885 0012886	1.890,00 € 1.890,00 €
[8] Smoke Grey + Matte Black	LED 3000K LED 2700K	0012887 0012888	1.890,00 € 1.890,00 €
[9] Smoke Grey + Matte Bronze	LED 3000K LED 2700K	0012889 0012890	1.890,00 € 1.890,00 €

ON REQUEST

DIMMING PROTOCOL	Push-dim; 0/1-10V; Dali		
FINISH	Source	STRUCTURE	UNIT PRICE vat excluded
[10] [11] [12] Transparent "Pulegoso" with metal powder inclusion	LED 3000K LED 2700K	Matte White Matte Black Matte Bronze	1.990,00 €
[13] [14] [15] Shaded White	LED 3000K LED 2700K	Matte White Matte Black Matte Bronze	1.990,00 €
[16] [17] [18] White Shaded Pink	LED 3000K LED 2700K	Matte White Matte Black Matte Bronze	1.990,00 €
[19] [20] [21] Alabaster with Brush Strikes	LED 3000K LED 2700K	Matte White Matte Black Matte Bronze	1.990,00 €

ON REQUEST

Class 3 version installation with remote driver
(supplied without canopy & driver)

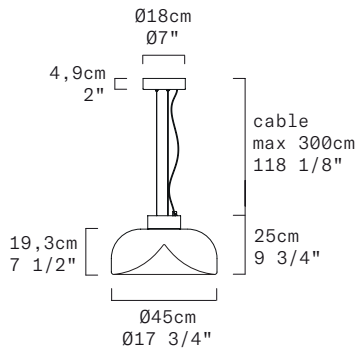
DIMMING PROTOCOL	Driver and canopy not included

AELLA S 45 - INDOOR

Toso & Massari, 2023

PENDANT - SOSPENSIONE

New



Discover more

REPLACEABLE LED



[18]

TECHNICAL SHEET	
MATERIALS	Diffuser: Blown Glass Structure: Metal
DIMENSIONS	Diffuser: Ø45 cm H19,3 cm [Ø17 3/4" H7 1/2"] Canopy: Ø18 cm H4,9cm [Ø7" H2"] Cable lenght: 300 cm [118 1/8"]
CANOPY	Matte white
LIGHT SOURCE	LED 1 X 16,6W 2624lm (nominal) 3000K CRI≥90 LED 1 X 16,6W 2461lm (nominal) 2700K CRI≥90
DIMMING PROTOCOL	Push-dim; 0/1-10V; Dali
MARKING	
NET WEIGHT	7,8kg

ON REQUEST

Class 3 version installation with remote driver
(supplied without canopy & driver)

DIMMING PROTOCOL	Driver and canopy not included

DIMMING PROTOCOL	Push-dim; 0/1-10V; Dali		
FINISH (DIFFUSER + STRUCTURE)	SOURCE	CODE	UNIT PRICE vat excluded
[1] Transparent with White Spot + Matte White	LED 3000K	0012716	1.370,00 €
	LED 2700K	0012717	1.370,00 €
[2] Transparent with White Spot + Matte Black	LED 3000K	0012718	1.370,00 €
	LED 2700K	0012719	1.370,00 €
[3] Transparent with White Spot + Matte Bronze	LED 3000K	0012720	1.370,00 €
	LED 2700K	0012721	1.370,00 €
[4] Shaded Burgundy + Matte White	LED 3000K	0013233	1.370,00 €
	LED 2700K	0013234	1.370,00 €
[5] Shaded Burgundy + Matte Black	LED 3000K	0013235	1.370,00 €
	LED 2700K	0013236	1.370,00 €
[6] Shaded Burgundy + Matte Bronze	LED 3000K	0013237	1.370,00 €
	LED 2700K	0013238	1.370,00 €
[7] Smoke Grey + Matte White	LED 3000K	0012879	1.250,00 €
	LED 2700K	0012880	1.250,00 €
[8] Smoke Grey + Matte Black	LED 3000K	0012881	1.250,00 €
	LED 2700K	0012882	1.250,00 €
[9] Smoke Grey + Matte Bronze	LED 3000K	0012883	1.250,00 €
	LED 2700K	0012884	1.250,00 €

ON REQUEST

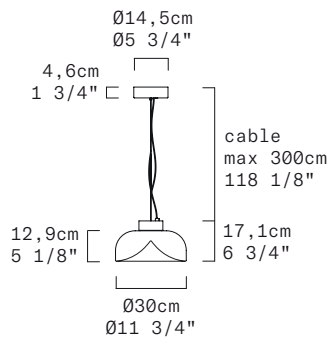
DIMMING PROTOCOL	Push-dim; 0/1-10V; Dali		
FINISH	Source	STRUCTURE	UNIT PRICE vat excluded
[10] [11] [12] Transparent "Pulegoso" with metal powder inclusion	LED 3000K LED 2700K	Matte White	1.370,00 €
		Matte Black	
		Matte Bronze	
[13] [14] [15] Shaded White	LED 3000K LED 2700K	Matte White	1.370,00 €
		Matte Black	
		Matte Bronze	
[16] [17] [18] White Shaded Pink	LED 3000K LED 2700K	Matte White	1.370,00 €
		Matte Black	
		Matte Bronze	
[19] [20] [21] Alabaster with Brush Strikes	LED 3000K LED 2700K	Matte White	1.370,00 €
		Matte Black	
		Matte Bronze	

AELLA S 30 - INDOOR

Toso & Massari, 2016

PENDANT - SOSPENSIONE

Upgraded



Discover more

REPLACEABLE LED



TECHNICAL SHEET	
MATERIALS	Diffuser: Blown Glass Structure: Metal
DIMENSIONS	Diffuser: Ø30 cm H12,9 cm [Ø11 3/4" H5 1/8"] Canopy: Ø14,5 cm H4,6 cm [Ø5 3/4" H1 3/4"] Cable lenght: 300 cm [118 1/8"]
CANOPY	Matte white
LIGHT SOURCE	LED 1 X 11,9W 1635lm (nominal) 3000K CRI≥90 LED 1 X 11,9W 1535lm (nominal) 2700K CRI≥90
DIMMING PROTOCOL	Push-dim; 0/1-10V; Dali
MARKING	
NET WEIGHT	3,7kg

DIMMING PROTOCOL	Push-dim; 0/1-10V; Dali		
FINISH (DIFFUSER + STRUCTURE)	SOURCE	CODE	UNIT PRICE vat excluded
[1] Transparent with White Spot + Matte White	LED 3000K LED 2700K	0012662 0012663	880,00 € 880,00 €
[2] Transparent with White Spot + Matte Black	LED 3000K LED 2700K	0012664 0012665	880,00 € 880,00 €
[3] Transparent with White Spot + Matte Bronze	LED 3000K LED 2700K	0012666 0012667	880,00 € 880,00 €
[4] Shaded Burgundy + Matte White	LED 3000K LED 2700K	0012704 0012705	880,00 € 880,00 €
[5] Shaded Burgundy + Matte Black	LED 3000K LED 2700K	0012706 0012707	880,00 € 880,00 €
[6] Shaded Burgundy + Matte Bronze	LED 3000K LED 2700K	0012708 0012709	880,00 € 880,00 €
[7] Smoke Grey + Matte White	LED 3000K LED 2700K	0012873 0012874	790,00 € 790,00 €
[8] Smoke Grey + Matte Black	LED 3000K LED 2700K	0012875 0012876	790,00 € 790,00 €
[9] Smoke Grey + Matte Bronze	LED 3000K LED 2700K	0012877 0012878	790,00 € 790,00 €

ON REQUEST

Class 3 version installation with remote driver
(supplied without canopy & driver)

DIMMING PROTOCOL	Driver and canopy not included

ON REQUEST

DIMMING PROTOCOL	Push-dim; 0/1-10V; Dali		
FINISH	Source	STRUCTURE	UNIT PRICE vat excluded
[10] [11] [12] Transparent "Pulegoso" with metal powder inclusion	LED 3000K LED 2700K	Matte White Matte Black Matte Bronze	880,00 €
[13] [14] [15] Shaded White	LED 3000K LED 2700K	Matte White Matte Black Matte Bronze	880,00 €
[16] [17] [18] White Shaded Pink	LED 3000K LED 2700K	Matte White Matte Black Matte Bronze	880,00 €
[19] [20] [21] Alabaster with Brush Strikes	LED 3000K LED 2700K	Matte White Matte Black Matte Bronze	880,00 €

STRUCTURE

Matte white

Matte Black

Matte Bronze

STANDARD COLOR FINISHES - FINITURE STANDARD

DIFFUSER

Transparent
with White
Spot



Shaded
Burgundy



Smoke Grey



The still life images represent the metal/glass colors combinations also for Aella S 30-45-54.
Le foto rappresentano le combinazioni colore metallo/vetro anche per Aella S 30-45-54.

Please, refer to the number on the pictures to match the correct code of the color finishes in the spec sheets.
Si prega di fare riferimento al numero sulle immagini per abbinare il codice corretto delle finiture colore nelle schede tecniche.

STRUCTURE

Matte white

Matte Black

Matte Bronze

DIFFUSER

Transparent
"Pulegoso"
with metal
powder
inclusion



Shaded White



White Shaded
Pink



Alabaster with
Brush Strikes



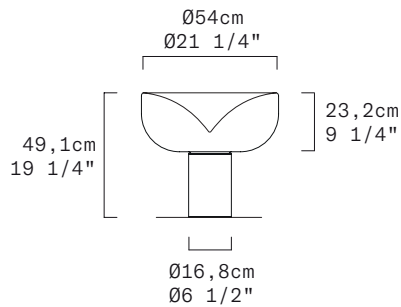
COLOR FINISHES ON REQUEST - FINITURE SU RICHIESTA

The still life images represent the metal/glass colors combinations also for Aella S 30-45-54.
Le foto rappresentano le combinazioni colore metallo/vetro anche per Aella S 30-45-54.

AELLA T 54 - INDOOR

Toso & Massari, 1968

upgraded



Discover more

REPLACEABLE LED



TECHNICAL SHEET	
MATERIALS	Diffuser: Blown Glass Structure: Metal
DIMENSIONS	Diffuser: Ø54 cm H23,2 cm [Ø21 1/4" H9 1/4"] Base: Ø16,8 cm H25,9 cm [Ø6 1/2" H10 1/4"] Cable length: 200 cm [78 3/4"]
LIGHT SOURCE	LED 1 X 26,6W 4060lm (nominal) 3000K CRI≥90 LED 1 X 26,6W 3808lm (nominal) 2700K CRI≥90
DIMMING PROTOCOL	Dimmer on cord
MARKING	
NET WEIGHT	16,45kg

DIMMING PROTOCOL	Dimmer on cord		
FINISH (DIFFUSER + STRUCTURE)	SOURCE	CODE	UNIT PRICE vat excluded
[1] Transparent with White Spot + Matte White	LED 3000K LED 2700K	0012589 0012590	1.890,00 € 1.890,00 €
[2] Transparent with White Spot + Matte Black	LED 3000K LED 2700K	0012591 0012592	1.890,00 € 1.890,00 €
[3] Transparent with White Spot + Matte Bronze	LED 3000K LED 2700K	0012593 0012594	1.890,00 € 1.890,00 €
[4] Shaded Burgundy + Matte White	LED 3000K LED 2700K	0012595 0012596	1.890,00 € 1.890,00 €
[5] Shaded Burgundy + Matte Black	LED 3000K LED 2700K	0012597 0012598	1.890,00 € 1.890,00 €
[6] Shaded Burgundy + Matte Bronze	LED 3000K LED 2700K	0012599 0012600	1.890,00 € 1.890,00 €
[7] Smoke Grey + Matte White	LED 3000K LED 2700K	0012907 0012908	1.785,00 € 1.785,00 €
[8] Smoke Grey + Matte Black	LED 3000K LED 2700K	0012909 0012910	1.785,00 € 1.785,00 €
[9] Smoke Grey + Matte Bronze	LED 3000K LED 2700K	0012911 0012912	1.785,00 € 1.785,00 €

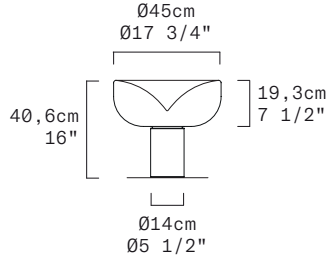
ON REQUEST

DIMMING PROTOCOL	Dimmer on cord		
FINISH	Source	STRUCTURE	UNIT PRICE vat excluded
[10] [11] [12] Transparent "Pulegoso" with metal powder inclusion	LED 3000K LED 2700K	Matte White Matte Black Matte Bronze	1.890,00 €
[13] [14] [15] Shaded White	LED 3000K LED 2700K	Matte White Matte Black Matte Bronze	1.890,00 €
[16] [17] [18] White Shaded Pink	LED 3000K LED 2700K	Matte White Matte Black Matte Bronze	1.890,00 €
[19] [20] [21] Alabaster with Brush Strikes	LED 3000K LED 2700K	Matte White Matte Black Matte Bronze	1.890,00 €

AELLA T 45 - INDOOR

Toso & Massari, 2023

TABLE - TAVOLO



Discover more

REPLACEABLE LED



[5]

TECHNICAL SHEET	
MATERIALS	Diffuser: Blown Glass Structure: Metal
DIMENSIONS	Diffuser: Ø45 cm H19,3 cm [Ø17 3/4" H7 1/2"] Base: Ø14 cm H21,3 cm [Ø5 1/2" H8 3/8"] Cable lenght: 200 cm [78 3/4"]
LIGHT SOURCE	LED 1 X 16,6W 2624lm (nominal) 3000K CRI≥90 LED 1 X 16,6W 2461lm (nominal) 2700K CRI≥90
DIMMING PROTOCOL	Dimmer on cord
MARKING	
NET WEIGHT	8,3kg

DIMMING PROTOCOL	Dimmer on cord		
FINISH (DIFFUSER + STRUCTURE)	SOURCE	CODE	UNIT PRICE vat excluded
[1] Transparent with White Spot + Matte White	LED 3000K	0012571	1.320,00 €
	LED 2700K	0012572	1.320,00 €
[2] Transparent with White Spot + Matte Black	LED 3000K	0012573	1.320,00 €
	LED 2700K	0012574	1.320,00 €
[3] Transparent with White Spot + Matte Bronze	LED 3000K	0012575	1.320,00 €
	LED 2700K	0012576	1.320,00 €
[4] Shaded Burgundy + Matte White	LED 3000K	0012903	1.320,00 €
	LED 2700K	0012904	1.320,00 €
[5] Shaded Burgundy + Matte Black	LED 3000K	0012537	1.320,00 €
	LED 2700K	0012538	1.320,00 €
[6] Shaded Burgundy + Matte Bronze	LED 3000K	0012905	1.320,00 €
	LED 2700K	0012906	1.320,00 €
[7] Smoke Grey + Matte White	LED 3000K	0012897	1.200,00 €
	LED 2700K	0012898	1.200,00 €
[8] Smoke Grey + Matte Black	LED 3000K	0012899	1.200,00 €
	LED 2700K	0012900	1.200,00 €
[9] Smoke Grey + Matte Bronze	LED 3000K	0012901	1.200,00 €
	LED 2700K	0012902	1.200,00 €

ON REQUEST

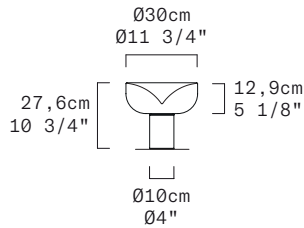
DIMMING PROTOCOL	Dimmer on cord		
FINISH (DIFFUSER + STRUCTURE)	Source	STRUCTURE	UNIT PRICE vat excluded
[10] [11] [12] Transparent "Pulegoso" with metal powder inclusion	LED 3000K LED 2700K	Matte White	1.320,00 €
		Matte Black	
		Matte Bronze	
[13] [14] [15] Shaded White	LED 3000K LED 2700K	Matte White	1.320,00 €
		Matte Black	
		Matte Bronze	
[16] [17] [18] White Shaded Pink	LED 3000K LED 2700K	Matte White	1.320,00 €
		Matte Black	
		Matte Bronze	
[19] [20] [21] Alabaster with Brush Strikes	LED 3000K LED 2700K	Matte White	1.320,00 €
		Matte Black	
		Matte Bronze	

AELLA T 30 - INDOOR

Toso & Massari, 2017

TABLE - TAVOLO

upgraded



Discover more

REPLACEABLE LED



[1]

TECHNICAL SHEET	
MATERIALS	Diffuser: Blown Glass Structure: Metal
DIMENSIONS	Diffuser: Ø30 cm H12,9 cm [Ø11 3/4" H5 1/8"] Base: Ø10cm H14,7 cm [Ø4" H5 1/8"] Cable lenght: 200 cm [78 3/4"]
LIGHT SOURCE	LED 1 X 11,9W 1635lm (nominal) 3000K CRI≥90 LED 1 X 11,9W 1535lm (nominal) 2700K CRI≥90
DIMMING PROTOCOL	Dimmer on cord
MARKING	
NET WEIGHT	3,3kg

DIMMING PROTOCOL	Dimmer on cord		
FINISH (DIFFUSER + STRUCTURE)	SOURCE	CODE	UNIT PRICE vat excluded
[1] Transparent with White Spot + Matte White	LED 3000K	0012523	820,00 €
	LED 2700K	0012524	820,00 €
[2] Transparent with White Spot + Matte Black	LED 3000K	0012525	820,00 €
	LED 2700K	0012526	820,00 €
[3] Transparent with White Spot + Matte Bronze	LED 3000K	0012527	820,00 €
	LED 2700K	0012528	820,00 €
[4] Shaded Burgundy + Matte White	LED 3000K	0012553	820,00 €
	LED 2700K	0012554	820,00 €
[5] Shaded Burgundy + Matte Black	LED 3000K	0012555	820,00 €
	LED 2700K	0012556	820,00 €
[6] Shaded Burgundy + Matte Bronze	LED 3000K	0012557	820,00 €
	LED 2700K	0012558	820,00 €
[7] Smoke Grey + Matte White	LED 3000K	0012517	725,00 €
	LED 2700K	0012518	725,00 €
[8] Smoke Grey + Matte Black	LED 3000K	0012519	725,00 €
	LED 2700K	0012520	725,00 €
[9] Smoke Grey + Matte Bronze	LED 3000K	0012521	725,00 €
	LED 2700K	0012522	725,00 €

ON REQUEST

DIMMING PROTOCOL	Dimmer on cord		
FINISH	Source	STRUCTURE	UNIT PRICE vat excluded
[10] [11] [12] Transparent "Pulegoso" with metal powder inclusion	LED 3000K	Matte White	820,00 €
	LED 2700K	Matte Black Matte Bronze	
[13] [14] [15] Shaded White	LED 3000K	Matte White	820,00 €
	LED 2700K	Matte Black Matte Bronze	
[16] [17] [18] White Shaded Pink	LED 3000K	Matte White	820,00 €
	LED 2700K	Matte Black Matte Bronze	
[19] [20] [21] Alabaster with Brush Strikes	LED 3000K	Matte White	820,00 €
	LED 2700K	Matte Black Matte Bronze	

STRUCTURE

Matte white

Matte Black

Matte Bronze

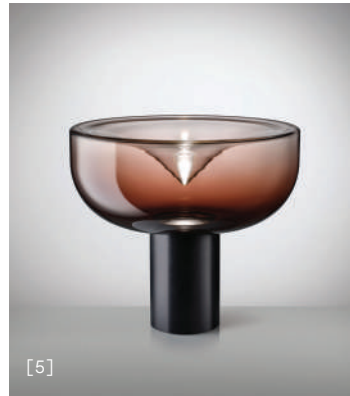
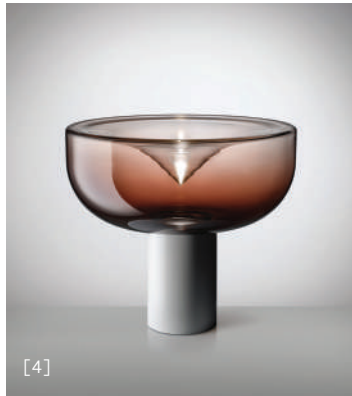
STANDARD COLOR FINISHES - FINITURE STANDARD

DIFFUSER

Transparent
with White
Spot



Shaded
Burgundy



Smoke Grey



Please, refer to the number on the pictures to match the correct code of the color finishes in the spec sheets.
Si prega di fare riferimento al numero sulle immagini per abbinare il codice corretto delle finiture colore nelle schede tecniche.

STRUCTURE

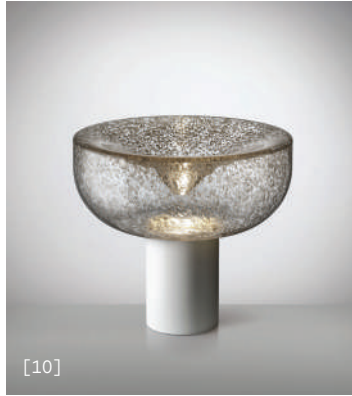
Matte white

Matte Black

Matte Bronze

DIFFUSER

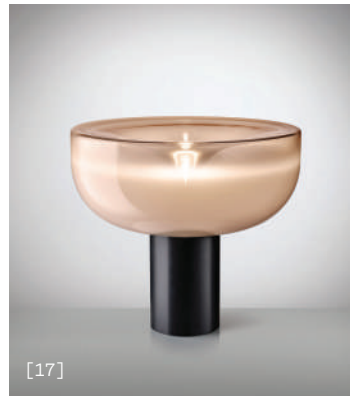
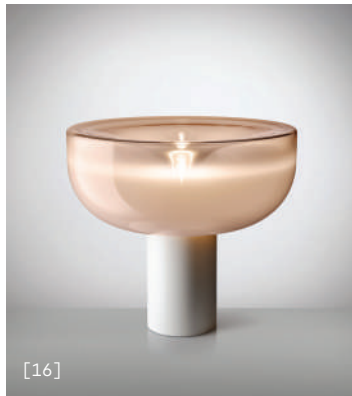
Transparent
"Pulegoso"
with metal
powder
inclusion



Shaded White



White Shaded
Pink



Alabaster with
Brush Strikes



COLOR FINISHES ON REQUEST - FINITURE SU RICHIESTA

AELLA OPENWORKED

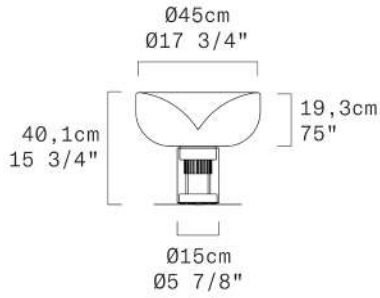


AELLA T 45 OPENWORKED - INDOOR

Toso & Massari, 2024

TABLE - TAVOLO

Special Edition



Discover more

REPLACEABLE LED



MATERIALS	Diffuser: Blown Glass Structure: Metal+ Anodized aluminium and copper rods Base: Borosilicate Glass
DIMENSIONS	Diffuser: Ø45 cm H19,3cm [Ø17 3/4" H75"] Base: Ø15cm H40,1 cm [Ø5 7/8" H15 3/4"] Cable lenght: 200 cm [78 3/4"]
LIGHT SOURCE	LED 1 X 16,6W 25561m (nominal) 3000K CRI≥90 LED 1 X 16,6W 24561m (nominal) 2700K CRI≥90
DIMMING PROTOCOL	Dimmer on cord
MARKING	
NET WEIGHT	8kg

PRICE LIST

DIMMING PROTOCOL	Dimmer on cord		
FINISH (DIFFUSER+STRUCTURE)	SOURCE	CODE	UNIT PRICE vat excluded
Trasparent with White spot + Transparent Glass and Anodized Aluminium and Copper Rods	LED 3000K	0013393	2.100,00 €
	LED 2700K	0013394	2.100,00 €

ON REQUEST WITH PERSONALIZED PLAQUE

DIMMING PROTOCOL	Dimmer on cord		
FINISH (DIFFUSER+STRUCTURE)	SOURCE	CODE	UNIT PRICE vat excluded
Trasparent with White spot + Transparent Glass and Anodized Aluminium and Copper Rods	LED 3000K	0013532	2.200,00 €
	LED 2700K	0013533	2.200,00 €

AELLA TR 45

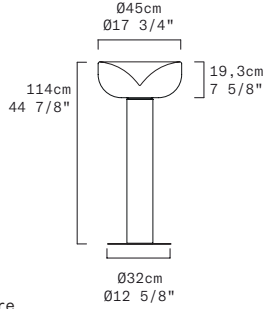


AELLA TR 45 - INDOOR
Toso & Massari, 2024

USER REPLACEABLE LED

TABLE - TAVOLO

NEW



Discover more

TECHNICAL SHEET

MATERIALS	Diffuser: Blown Glass Structure: Metal
DIMENSIONS	Diffuser: Ø45 cm H19,3 cm [Ø17 3/4" H7 5/8"] Base: Ø32cm H94,7cm [Ø12 5/8" H37 1/4"] Cable lenght: 230 cm [90 1/2"]
LIGHT SOURCE	LED 1 X 16,6W 2556lm (nominal) 3000K CRI≥90 LED 1 X 16,6W 2456lm (nominal) 2700K CRI≥90
DIMMING PROTOCOL	Dimmer on cord
MARKING	
NET WEIGHT	14,5kg



PRICE LIST

DIMMING PROTOCOL	Dimmer on cord		
FINISH	SOURCE	CODE	UNIT PRICE vat excluded
[1] Trasparent with white spot + Matte Black	LED 3000K LED 2700K	0013395 0013396	1.740.00 €
[2]Smoke Grey + Matte Black	LED 3000K LED 2700K	0013397 0013398	1.640,00 €
[3]Shaded Burgundy + Matte Black	LED 3000K LED 2700K	0013399 0013400	1.740.00 €

ON REQUEST

CONTROL	Dimmer on cord		
FINISH (DIFFUSER+STRUCTURE)	SOURCE	STRUCTURE	UNIT PRICE vat excluded
[4] "Pulegoso" with metal powder inclusion	LED 3000K LED 2700K	Matte Black	1.740.00 €
[5] Shaded White	LED 3000K LED 2700K	Matte Black	1.740.00 €
[6] White Shaded Pink	LED 3000K LED 2700K	Matte Black	1.740.00 €
[7] Alabaster with brush strikes	LED 3000K LED 2700K	Matte Black	1.740.00 €

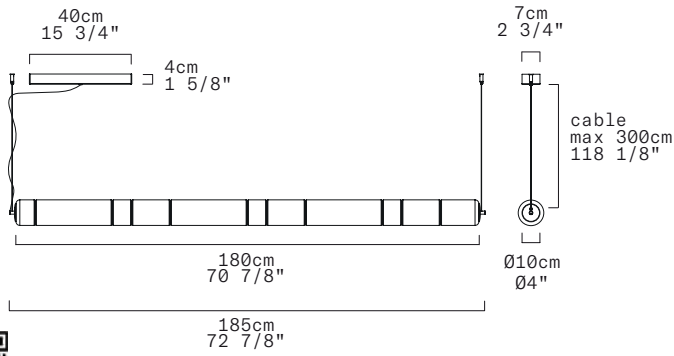
PENDANT HORIZONTAL
STACKING



STACKING S 180 H - INDOOR

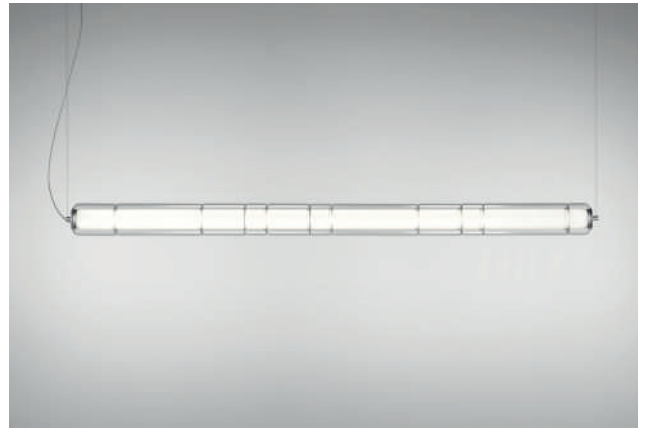
PENDANT - SOSPENSIONE

David Rockwell, 2023



Discover more

REPLACEABLE LED





Standard version (supplied with canopy & driver)

DIMMING PROTOCOL	Push-dim; 0/1-10V, DALI		
FINISH (DIFFUSER + STRUCTURE)	SOURCE	CODE	UNIT PRICE vat excluded
Transparent + Anodized Aluminum	LED 3000K	0012296	3.465,00 €
	LED 2700K	0012380	3.465,00 €
Transparent + Matte Black Aluminum	LED 3000K	0013884	3.465,00 €
	LED 2700K	0013885	3.465,00 €
Satin Black + Anodized Aluminum	LED 3000K	0013611	4.325,00 €
	LED 2700K	0013612	4.325,00 €
Satin Black + Matte Black Aluminum	LED 3000K	0013615	4.325,00 €
	LED 2700K	0013616	4.325,00 €

ON REQUEST (PVD: METALIZED TREATMENT)

MINIMUM ORDER QUANTITY 1 PCS PER COLOR

DIMMING PROTOCOL	Push-dim; 0/1-10V, DALI		
FINISH (DIFFUSER + STRUCTURE)	SOURCE	CODE	UNIT PRICE vat excluded
Metallic Petrol Blue + Anodized Aluminum	LED 3000K	0013619	4.545,00 €
	LED 2700K	0013620	4.545,00 €
Metallic Petrol Blue + Matte Black Aluminum	LED 3000K	0013623	4.545,00 €
	LED 2700K	0013624	4.545,00 €
Metallic Titanium + Anodized Aluminum	LED 3000K	0013627	4.545,00 €
	LED 2700K	0013628	4.545,00 €
Metallic Titanium + Matte Black Aluminum	LED 3000K	0013631	4.545,00 €
	LED 2700K	0013632	4.545,00 €

TECHNICAL SHEET	
MATERIALS	Diffuser: Blown Borosilicate Glass Structure: Aluminum
DIMENSIONS	Diffuser: Ø10cm L180cm [Ø4" 70 7/8"] Canopy: 40cm x 7cm x H4cm [15 3/4" x 2 3/4" x H1 5/8"] Cable length: 300cm [118 1/8"]
CANOPY	Matte white
LIGHT SOURCE	5 X LED STRIP 24V 43,75W (total) 5031 lm (nominal) 3000K CRI≥90 5 X LED STRIP 24V 43,75W (total) 4812 lm (nominal) 2700K CRI≥90
DIMMING PROTOCOL	Push-dim; 0/1-10V, DALI
MARKING	 
NET WEIGHT	10kg

**Class 3 version installation with remote driver
(supplied without canopy & driver)**

DIMMING PROTOCOL	Driver and canopy not included		
FINISH (DIFFUSER + STRUCTURE)	SOURCE	CODE	UNIT PRICE vat excluded
Transparent + Anodized Aluminum	LED 3000K	0013255	3.095,00 €
	LED 2700K	0013256	3.095,00 €
Transparent + Matte Black Aluminum	LED 3000K	0013873	3.095,00 €
	LED 2700K	0013886	3.095,00 €
Satin Black + Anodized Aluminum	LED 3000K	0013613	3.980,00 €
	LED 2700K	0013614	3.980,00 €
Satin Black + Matte Black Aluminum	LED 3000K	0013617	3.980,00 €
	LED 2700K	0013618	3.980,00 €

ON REQUEST (PVD: METALIZED TREATMENT)

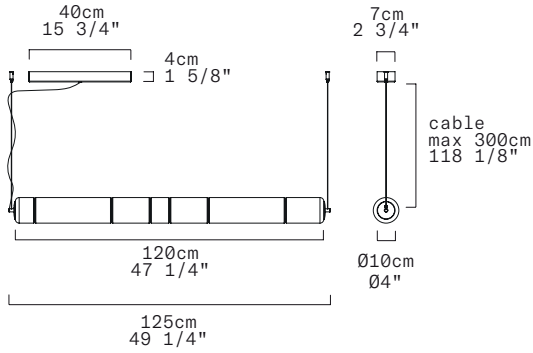
MINIMUM ORDER QUANTITY 1 PCS PER COLOR

DIMMING PROTOCOL	Driver and canopy not included		
FINISH (DIFFUSER + STRUCTURE)	SOURCE	CODE	UNIT PRICE vat excluded
Metallic Petrol Blue + Anodized Aluminum	LED 3000K	0013621	4.200,00 €
	LED 2700K	0013622	4.200,00 €
Metallic Petrol Blue + Matte Black Aluminum	LED 3000K	0013625	4.200,00 €
	LED 2700K	0013626	4.200,00 €
Metallic Titanium + Anodized Aluminum	LED 3000K	0013629	4.200,00 €
	LED 2700K	0013630	4.200,00 €
Metallic Titanium + Matte Black Aluminum	LED 3000K	0013633	4.200,00 €
	LED 2700K	0013634	4.200,00 €

STACKING S 120 H - INDOOR

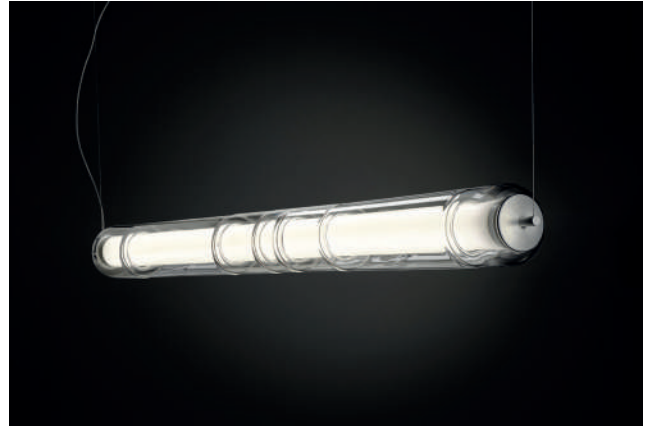
David Rockwell, 2023



PENDANT - SOSPENSIONE



Discover more

REPLACEABLE LED



TECHNICAL SHEET	
MATERIALS	Diffuser: Blown Borosilicate Glass Structure: Aluminum
DIMENSIONS	Diffuser: Ø10cm L120cm [Ø4" 47 1/4"] Canopy: 40cm x 7cm x H4cm [15 3/4" x 2 3/4" x H1 5/8"] Cable length: 300cm [118 1/8"]
CANOPY	Matte white
LIGHT SOURCE	5 X LED STRIP 24V 28,75W (total) 3306 lm (nominal) 3000K CRI≥90 5 X LED STRIP 24V 28,75W (total) 3162 lm (nominal) 2700K CRI≥90
DIMMING PROTOCOL	Push-dim; 0/1-10V, DALI
MARKING	 
NET WEIGHT	5,6 kg

DIMMING PROTOCOL	Push-dim; 0/1-10V, DALI		
FINISH (DIFFUSER + STRUCTURE)	SOURCE	CODE	UNIT PRICE vat excluded
Transparent + Anodized Aluminum	LED 3000K	0012360	2.625,00 €
	LED 2700K	0012383	2.625,00 €
Transparent + Matte Black Aluminum	LED 3000K	0013889	2.625,00 €
	LED 2700K	0013890	2.625,00 €
Satin Black + Anodized Aluminum	LED 3000K	0013635	3.245,00 €
	LED 2700K	0013636	3.245,00 €
Satin Black + Matte Black Aluminum	LED 3000K	0013639	3.245,00 €
	LED 2700K	0013640	3.245,00 €

ON REQUEST (PVD: METALIZED TREATMENT)

MINIMUM ORDER QUANTITY 2 PCS PER COLOR

DIMMING PROTOCOL	Push-dim; 0/1-10V, DALI		
FINISH	SOURCE	CODE	UNIT PRICE vat excluded
Metallic Petrol Blue + Anodized Aluminium	LED 3000K	0013643	3.400,00 €
	LED 2700K	0013644	3.400,00 €
Metallic Petrol Blue + Matte Black Aluminum	LED 3000K	0013647	3.400,00 €
	LED 2700K	0013648	3.400,00 €
Metallic Titanium + Anodized Aluminum	LED 3000K	0013651	3.400,00 €
	LED 2700K	0013652	3.400,00 €
Metallic Titanium + Matte Black Aluminum	LED 3000K	0013655	3.400,00 €
	LED 2700K	0013656	3.400,00 €

Class 3 version installation with remote driver
 (supplied without canopy & driver)

DIMMING PROTOCOL	Driver and canopy not included		
FINISH (DIFFUSER + STRUCTURE)	SOURCE	CODE	UNIT PRICE vat excluded
Transparent + Anodized Aluminum	LED 3000K	0013253	2.230,00 €
	LED 2700K	0013254	2.230,00 €
Transparent + Matte Black Aluminum	LED 3000K	0013891	2.230,00 €
	LED 2700K	0013892	2.230,00 €
Satin Black + Anodized Aluminum	LED 3000K	0013637	2.880,00 €
	LED 2700K	0013638	2.880,00 €
Satin Black + Matte Black Aluminum	LED 3000K	0013641	2.880,00 €
	LED 2700K	0013642	2.880,00 €

ON REQUEST (PVD: METALIZED TREATMENT)

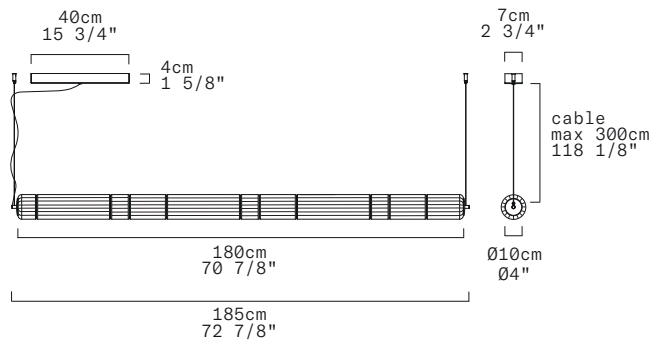
MINIMUM ORDER QUANTITY 2 PCS PER COLOR

DIMMING PROTOCOL	Driver and canopy not included		
FINISH	SOURCE	CODE	UNIT PRICE vat excluded
Metallic Petrol Blue + Anodized Aluminum	LED 3000K	0013645	3.030,00 €
	LED 2700K	0013646	3.030,00 €
Metallic Petrol Blue + Matte Black Aluminum	LED 3000K	0013649	3.030,00 €
	LED 2700K	0013650	3.030,00 €
Metallic Titanium + Anodized Aluminum	LED 3000K	0013653	3.030,00 €
	LED 2700K	0013654	3.030,00 €
Metallic Titanium + Matte Black Aluminum	LED 3000K	0013657	3.030,00 €
	LED 2700K	0013658	3.030,00 €

STACKING S 180 H RIG - INDOOR

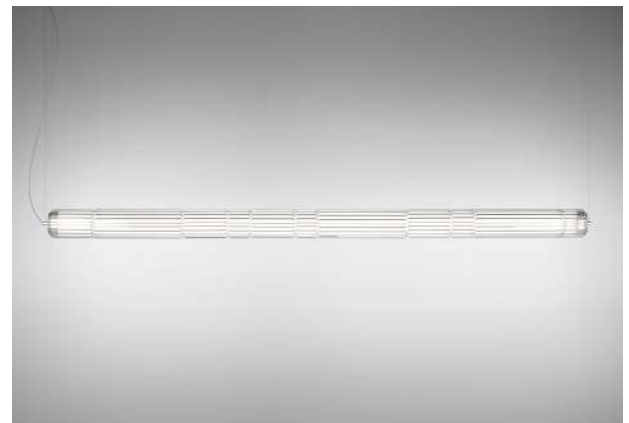
PENDANT - SOSPENSIONE

David Rockwell, 2024


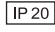


Discover more

REPLACEABLE LED



Standard version (supplied with canopy & driver)

TECHNICAL SHEET	
MATERIALS	Diffuser: Blown Borosilicate Glass Structure: Aluminum
DIMENSIONS	Diffuser: Ø10cm L180cm [Ø4" 70 7/8"] Canopy: 40cm x 7cm x H4cm [15 3/4" x 2 3/4" x H1 5/8"] Cable lenght: 300cm [118 1/8"]
CANOPY	Matte white
LIGHT SOURCE	5 X LED STRIP 24V 43,75W (total) 5031 lm (nominal) 3000K CRI≥90 5 X LED STRIP 24V 43,75W (total) 4812 lm (nominal) 2700K CRI≥90
DIMMING PROTOCOL	Push-dim; 0/1-10V, DALI
MARKING	 
NET WEIGHT	12,3 kg

DIMMING PROTOCOL	Push-dim; 0/1-10V, DALI		
FINISH (DIFFUSER + STRUCTURE)	SOURCE	CODE	UNIT PRICE vat excluded
Transparent Rigadin + Anodized Aluminum	LED 3000K	0013541	3.995,00 €
	LED 2700K	0013542	3.995,00 €
Transparent Rigadin + Matte Black Aluminum	LED 3000K	0013874	3.995,00 €
	LED 2700K	0013875	3.995,00 €
Tobacco Rigadin + Anodized Aluminum	LED 3000K	0013842	4.625,00 €
	LED 2700K	0013843	4.625,00 €
Tobacco Rigadin + Matte Black Aluminum	LED 3000K	0013844	4.625,00 €
	LED 2700K	0013845	4.625,00 €

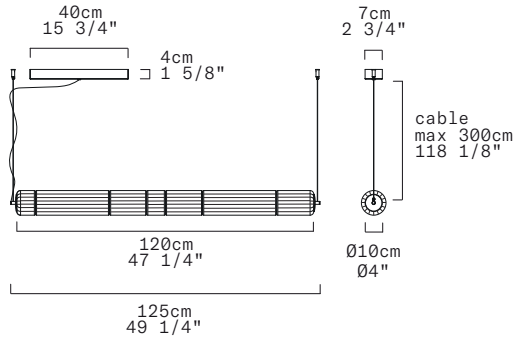
Class 3 version installation with remote driver (supplied without canopy & driver)

DIMMING PROTOCOL	Driver and canopy not included		
FINISH (DIFFUSER + STRUCTURE)	SOURCE	CODE	UNIT PRICE vat excluded
Transparent Rigadin + Anodized Aluminum	LED 3000K	0013543	3.650,00 €
	LED 2700K	0013544	3.650,00 €
Transparent Rigadin + Matte Black Aluminum	LED 3000K	0013780	3.650,00 €
	LED 2700K	0013781	3.650,00 €
Tobacco Rigadin + Anodized Aluminum	LED 3000K	0013774	4.285,00 €
	LED 2700K	0013775	4.285,00 €
Tobacco Rigadin + Matte Black Aluminum	LED 3000K	0013778	4.285,00 €
	LED 2700K	0013779	4.285,00 €

STACKING S 120 H RIG - INDOOR

PENDANT - SOSPENSIONE

David Rockwell, 2024



Discover more

REPLACEABLE LED





Standard version (supplied with canopy & driver)

DIMMING PROTOCOL	Push-dim; 0/1-10V, DALI		
FINISH (DIFFUSER + STRUCTURE)	SOURCE	CODE	UNIT PRICE vat excluded
Transparent Rigadin + Anodized Aluminum	LED 3000K	0013545	3.000,00 €
	LED 2700K	0013546	3.000,00 €
Transparent Rigadin + Matte Black Aluminum	LED 3000K	0013876	3.000,00 €
	LED 2700K	0013877	3.000,00 €
Tobacco Rigadin + Anodized Aluminum	LED 3000K	0013846	3.450,00 €
	LED 2700K	0013847	3.450,00 €
Tobacco Rigadin + Matte Black Aluminum	LED 3000K	0013848	3.450,00 €
	LED 2700K	0013849	3.450,00 €

Class 3 version installation with remote driver (supplied without canopy & driver)

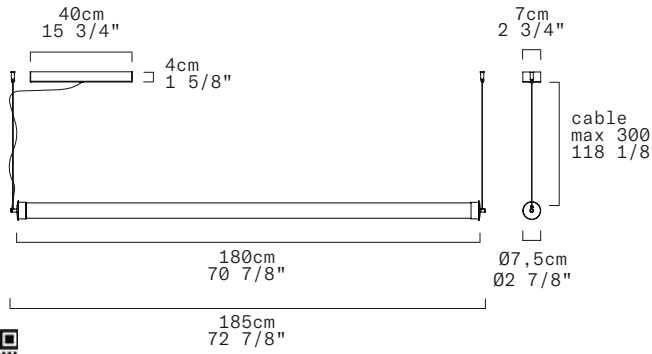
DIMMING PROTOCOL	Driver and canopy not included		
FINISH (DIFFUSER + STRUCTURE)	SOURCE	CODE	UNIT PRICE vat excluded
Transparent Rigadin + Anodized Aluminum	LED 3000K	0013547	2.635,00 €
	LED 2700K	0013548	2.635,00 €
Transparent + Matte Black Aluminum	LED 3000K	0013790	2.635,00 €
	LED 2700K	0013791	2.635,00 €
Tobacco Rigadin + Anodized Aluminum	LED 3000K	0013784	3.080,00 €
	LED 2700K	0013785	3.080,00 €
Tobacco Rigadin + Matte Black Aluminum	LED 3000K	0013788	3.080,00 €
	LED 2700K	0013789	3.080,00 €

TECHNICAL SHEET	
MATERIALS	Diffuser: Blown Borosilicate Glass Structure: Aluminum
DIMENSIONS	Diffuser: Ø10cm L120cm [Ø4" 47 1/4"] Canopy: 40cm x 7cm x H4cm [15 3/4" x 2 3/4" x H1 5/8"] Cable lenght: 300cm [118 1/8"]
CANOPY	Matte white
LIGHT SOURCE	5 X LED STRIP 24V 28,75W (total) 3306 lm (nominal) 3000K CRI≥90 5 X LED STRIP 24V 28,75W (total) 3162 lm (nominal) 2700K CRI≥90
DIMMING PROTOCOL	Push-dim; 0/1-10V, DALI
MARKING	 
NET WEIGHT	7,1 kg

STACKING S 180 H NAKED - INDOOR

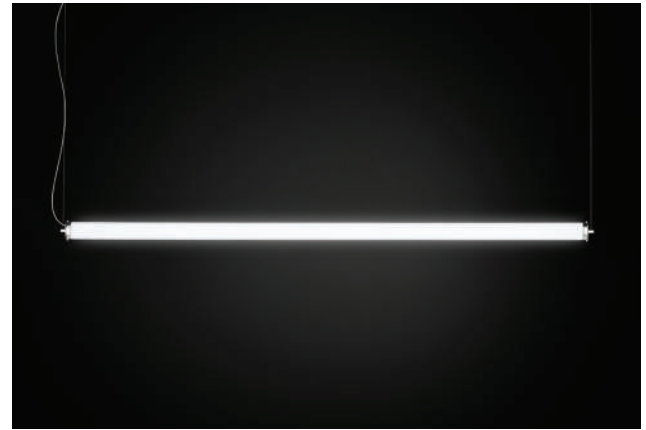
PENDANT - SOSPENSIONE



David Rockwell, 2023



Discover more

REPLACEABLE LED



TECHNICAL SHEET	
MATERIALS	Diffuser: Borosilicate Glass Structure: Aluminum
DIMENSIONS	Diffuser: Ø7,5cm L180cm [Ø2 7/8" L70 7/8"] Canopy: 40cm x 7cm x H4cm [15 3/4" x 2 3/4" x H1 5/8"] Cable lenght: 300cm [118 1/8"]
CANOPY	Matte white
LIGHT SOURCE	5 X LED STRIP 24V 43,75W (total) 5031 lm (nominal) 3000K CRI≥90 5 X LED STRIP 24V 43,75W (total) 4812 lm (nominal) 2700K CRI≥90
DIMMING PROTOCOL	Push-dim; 0/1-10V, DALI
MARKING	 
NET WEIGHT	5kg

Standard version (supplied with canopy & driver)

DIMMING PROTOCOL	Push-dim; 0/1-10V, DALI		
FINISH (DIFFUSER + STRUCTURE)	SOURCE	CODE	UNIT PRICE vat excluded
White + Anodized Aluminum	LED 3000K	0012431	2.090,00 €
	LED 2700K	0012432	2.090,00 €

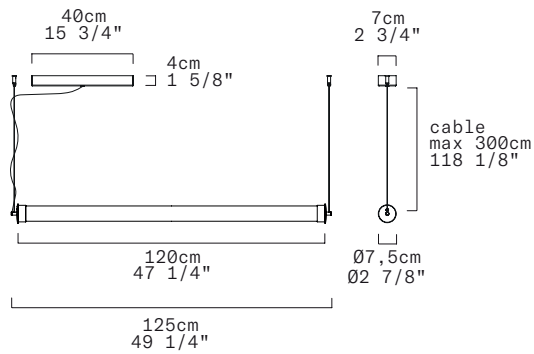
Class 3 version installation with remote driver (supplied without canopy & driver)

DIMMING PROTOCOL	Driver and canopy not included		
FINISH (DIFFUSER + STRUCTURE)	SOURCE	CODE	UNIT PRICE vat excluded
White + Anodized Aluminum	LED 3000K	0013265	1.660,00 €
	LED 2700K	0013266	1.660,00 €

STACKING S 120 H NAKED - INDOOR

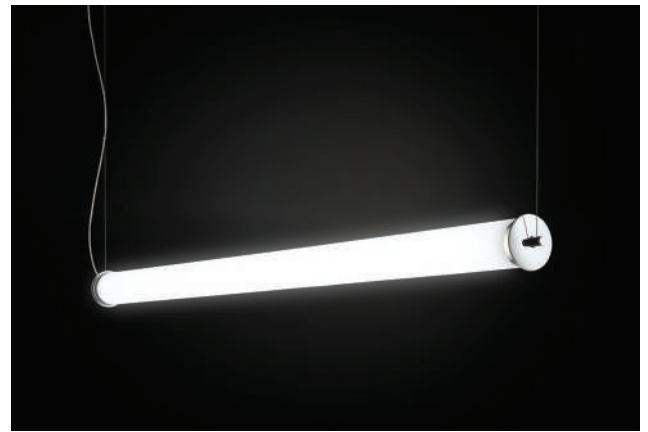
PENDANT - SOSPENSIONE

David Rockwell, 2023



Discover more

REPLACEABLE LED



TECHNICAL SHEET	
MATERIALS	Diffuser: Polymethacrylate Structure: Aluminum
DIMENSIONS	Diffuser: Ø7,5cm L120cm [Ø2 7/8" L47 1/4"] Canopy: 40cm x 7cm x H4cm [15 3/4" x 2 3/4" x 1 5/8"] Cable lenght: 300cm [118 1/8"]
CANOPY	Matte white
LIGHT SOURCE	5 X LED STRIP 24V 28,75W (total) 3306 lm (nominal) 3000K CRI≥90 5 X LED STRIP 24V 28,75W (total) 3162 lm (nominal) 2700K CRI≥90
DIMMING PROTOCOL	Push-dim; 0/1-10V, DALI
MARKING	CE IP20
NET WEIGHT	3,4kg

Standard version (supplied with canopy & driver)

DIMMING PROTOCOL	Push-dim; 0/1-10V, DALI		
FINISH (DIFFUSER + STRUCTURE)	SOURCE	CODE	UNIT PRICE vat excluded
White + Anodized Aluminum	LED 3000K	0012433	1.830,00 €
	LED 2700K	0012434	1.830,00 €

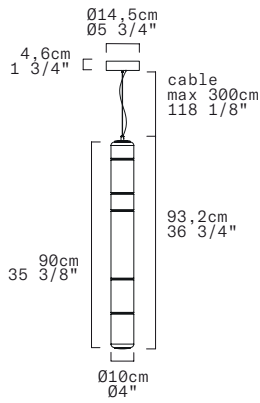
Class 3 version installation with remote driver (supplied without canopy & driver)

DIMMING PROTOCOL	Driver and canopy not included		
FINISH (DIFFUSER + STRUCTURE)	SOURCE	CODE	UNIT PRICE vat excluded
White + Anodized Aluminum	LED 3000K	0013263	1.350,00 €
	LED 2700K	0013264	1.350,00 €

STACKING S 90 V - INDOOR

PENDANT - SOSPENSIONE

David Rockwell, 2023



Discover more

REPLACEABLE LED





Standard version (supplied with canopy & driver)

DIMMING PROTOCOL	Push-dim; 0/1-10V, DALI		
FINISH (DIFFUSER + STRUCTURE)	SOURCE	CODE	UNIT PRICE vat excluded
Transparent + Anodized Aluminum	LED 3000K	0012363	1.785,00 €
	LED 2700K	0012386	1.785,00 €
Transparent + Matte Black Aluminum	LED 3000K	0013893	1.785,00 €
	LED 2700K	0013894	1.785,00 €
Satin Black + Anodized Aluminum	LED 3000K	0013659	2.220,00 €
	LED 2700K	0013660	2.220,00 €
Satin Black + Matte Black Aluminum	LED 3000K	0013663	2.220,00 €
	LED 2700K	0013664	2.220,00 €

ON REQUEST (PVD: METALIZED TREATMENT)

MINIMUM ORDER QUANTITY 2 PCS PER COLOR

DIMMING PROTOCOL	Push-dim; 0/1-10V, DALI		
FINISH	SOURCE	CODE	UNIT PRICE vat excluded
Metallic Petrol Blue + Anodized Aluminum	LED 3000K	0013667	2.320,00 €
	LED 2700K	0013668	2.320,00 €
Metallic Petrol Blue + Matte Black Aluminum	LED 3000K	0013671	2.320,00 €
	LED 2700K	0013672	2.320,00 €
Metallic Titanium + Anodized Aluminum	LED 3000K	0013675	2.320,00 €
	LED 2700K	0013676	2.320,00 €
Metallic Titanium + Matte Black Aluminum	LED 3000K	0013679	2.320,00 €
	LED 2700K	0013680	2.320,00 €

TECHNICAL SHEET	
MATERIALS	Diffuser: Blown Borosilicate Glass Structure: Aluminum
DIMENSIONS	Diffuser: Ø10cm H90cm [Ø4" 35 3/8"] Canopy: Ø14,5cm H4,6cm [Ø5 3/4" H1 3/4"] Cable length: 300cm [118 1/8"]
CANOPY	Matte white
LIGHT SOURCE	5 X LED STRIP 24V 21,25W (total) 2443 lm (nominal) 3000K CRI≥90 5 X LED STRIP 24V 21,25W (total) 2337 lm (nominal) 2700K CRI≥90
DIMMING PROTOCOL	Push-dim; 0/1-10V, DALI
MARKING	 
NET WEIGHT	4,3kg

**Class 3 version installation with remote driver
(supplied without canopy & driver)**

DIMMING PROTOCOL	Driver and canopy not included		
FINISH (DIFFUSER + STRUCTURE)	SOURCE	CODE	UNIT PRICE vat excluded
Transparent + Anodized Aluminum	LED 3000K	0013261	1.580,00 €
	LED 2700K	0013262	1.580,00 €
Transparent + Matte Black Aluminum	LED 3000K	0013895	1.580,00 €
	LED 2700K	0013896	1.580,00 €
Satin Black + Anodized Aluminum	LED 3000K	0013661	2.020,00 €
	LED 2700K	0013662	2.020,00 €
Satin Black + Matte Black Aluminum	LED 3000K	0013665	2.020,00 €
	LED 2700K	0013666	2.020,00 €

ON REQUEST (PVD: METALIZED TREATMENT)

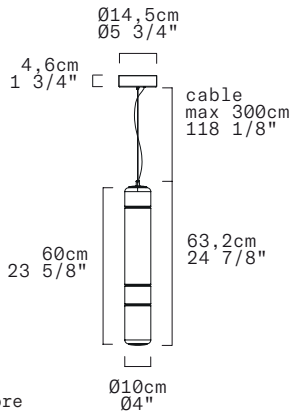
MINIMUM ORDER QUANTITY 2 PCS PER COLOR

DIMMING PROTOCOL	Driver and canopy not included		
FINISH	SOURCE	CODE	UNIT PRICE vat excluded
Metallic Petrol Blue + Anodized Aluminum	LED 3000K	0013669	2.120,00 €
	LED 2700K	0013670	2.120,00 €
Metallic Petrol Blue + Matte Black Aluminum	LED 3000K	0013673	2.120,00 €
	LED 2700K	0013674	2.120,00 €
Metallic Titanium + Anodized Aluminum	LED 3000K	0013677	2.120,00 €
	LED 2700K	0013678	2.120,00 €
Metallic Titanium + Matte Black Aluminum	LED 3000K	0013681	2.120,00 €
	LED 2700K	0013682	2.120,00 €

STACKING S 60 V - INDOOR

PENDANT - SOSPENSIONE

David Rockwell, 2023





Discover more

REPLACEABLE LED



Standard version (supplied with canopy & driver)

TECHNICAL SHEET	
MATERIALS	Diffuser: Blown Borosilicate Glass Structure: Aluminum
DIMENSIONS	Diffuser: Ø10cm H60cm [Ø4" 23 5/8"] Canopy: Ø14,5cm H4,6cm [Ø5 3/4" 1 3/4"] Cable length: 300cm [118 1/8"]
CANOPY	Matte white
LIGHT SOURCE	5 X LED STRIP 24V 13,75W (total) 1581 lm (nominal) 3000K CRI≥90 5 X LED STRIP 24V 13,75W (total) 1512 lm (nominal) 2700K CRI≥90
DIMMING PROTOCOL	Push-dim; 0/1-10V, DALI
MARKING	 
NET WEIGHT	3,2kg

DIMMING PROTOCOL	Push-dim; 0/1-10V, DALI		
FINISH (DIFFUSER + STRUCTURE)	SOURCE	CODE	UNIT PRICE vat excluded
Transparent + Anodized Aluminum	LED 3000K	0012362	1.365,00 €
	LED 2700K	0012389	1.365,00 €
Transparent + Matte Black Aluminum	LED 3000K	0013897	1.365,00 €
	LED 2700K	0013898	1.365,00 €
Satin Black + Anodized Aluminum	LED 3000K	0013683	1.675,00 €
	LED 2700K	0013684	1.675,00 €
Satin Black + Matte Black Aluminum	LED 3000K	0013687	1.675,00 €
	LED 2700K	0013688	1.675,00 €

ON REQUEST (PVD: METALIZED TREATMENT)

MINIMUM ORDER QUANTITY 4 PCS PER COLOR

DIMMING PROTOCOL	Push-dim; 0/1-10V, DALI		
FINISH	SOURCE	CODE	UNIT PRICE vat excluded
Metallic Petrol Blue + Anodized Aluminum	LED 3000K	0013822	1.770,00 €
	LED 2700K	0013823	1.770,00 €
Metallic Petrol Blue + Matte Black Aluminum	LED 3000K	0013824	1.770,00 €
	LED 2700K	0013825	1.770,00 €
Metallic Titanium + Anodized Aluminum	LED 3000K	0013826	1.770,00 €
	LED 2700K	0013827	1.770,00 €
Metallic Titanium + Matte Black Aluminum	LED 3000K	0013828	1.770,00 €
	LED 2700K	0013829	1.770,00 €

**Class 3 version installation with remote driver
(supplied without canopy & driver)**

DIMMING PROTOCOL	Driver and canopy not included		
FINISH (DIFFUSER + STRUCTURE)	SOURCE	CODE	UNIT PRICE vat excluded
Transparent + Anodized Aluminum	LED 3000K	0013259	1.165,00 €
	LED 2700K	0013260	1.165,00 €
Transparent + Matte Black Aluminum	LED 3000K	0013899	1.165,00 €
	LED 2700K	0013900	1.165,00 €
Satin Black + Anodized Aluminum	LED 3000K	0013685	1.480,00 €
	LED 2700K	0013686	1.480,00 €
Satin Black + Matte Black Aluminum	LED 3000K	0013689	1.480,00 €
	LED 2700K	0013690	1.480,00 €

ON REQUEST (PVD: METALIZED TREATMENT)

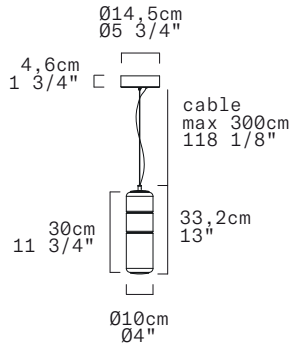
MINIMUM ORDER QUANTITY 4 PCS PER COLOR

DIMMING PROTOCOL	Driver and canopy not included		
FINISH	SOURCE	CODE	UNIT PRICE vat excluded
Metallic Petrol Blue + Anodized Aluminum	LED 3000K	0013734	1.575,00 €
	LED 2700K	0013735	1.575,00 €
Metallic Petrol Blue + Matte Black Aluminum	LED 3000K	0013738	1.575,00 €
	LED 2700K	0013739	1.575,00 €
Metallic Titanium + Anodized Aluminum	LED 3000K	0013742	1.575,00 €
	LED 2700K	0013743	1.575,00 €
Metallic Titanium + Matte Black Aluminum	LED 3000K	0013746	1.575,00 €
	LED 2700K	0013747	1.575,00 €

STACKING S 30 V - INDOOR

PENDANT - SOSPENSIONE

David Rockwell, 2023



Discover more

REPLACEABLE LED

TECHNICAL SHEET

MATERIALS	Diffuser: Blown Borosilicate Glass Structure: Aluminum
DIMENSIONS	Diffuser: Ø10cm H30cm [Ø4" H11 3/4"] Canopy: Ø14,5cm H4,6cm [Ø5 3/4" H1 3/4"] Cable length: 300cm [118 1/8"]
CANOPY	Matte white
LIGHT SOURCE	5 X LED STRIP 24V 6,25W (total) 718 lm (nominal) 3000K CRI≥90 5 X LED STRIP 24V 6,25W (total) 687 lm (nominal) 2700K CRI≥90
DIMMING PROTOCOL	Push-dim; 0/1-10V, DALI
MARKING	DRY LOCATION  
NET WEIGHT	2,3kg



Standard version (supplied with canopy & driver)

DIMMING PROTOCOL	Push-dim; 0/1-10V, DALI		
FINISH (DIFFUSER + STRUCTURE)	SOURCE	CODE	UNIT PRICE vat excluded
Transparent + Anodized Aluminum	LED 3000K	0012361	895,00 €
	LED 2700K	0012392	895,00 €
Transparent + Matte Black Aluminum	LED 3000K	0013901	895,00 €
	LED 2700K	0013902	895,00 €
Satin Black + Anodized Aluminum	LED 3000K	0013830	1.095,00 €
	LED 2700K	0013831	1.095,00 €
Satin Black + Matte Black Aluminum	LED 3000K	0013832	1.095,00 €
	LED 2700K	0013833	1.095,00 €

ON REQUEST (PVD: METALIZED TREATMENT)

MINIMUM ORDER QUANTITY 8 PCS PER COLOR

DIMMING PROTOCOL	Push-dim; 0/1-10V, DALI		
FINISH	SOURCE	CODE	UNIT PRICE vat excluded
Metallic Petrol Blue + Anodized Aluminum	LED 3000K	0013834	1.125,00 €
	LED 2700K	0013835	1.125,00 €
Metallic Petrol Blue + Matte Black Aluminum	LED 3000K	0013836	1.125,00 €
	LED 2700K	0013837	1.125,00 €
Metallic Titanium + Anodized Aluminum	LED 3000K	0013838	1.125,00 €
	LED 2700K	0013839	1.125,00 €
Metallic Titanium + Matte Black Aluminum	LED 3000K	0013840	1.125,00 €
	LED 2700K	0013841	1.125,00 €

◆ **Class 3 version installation with remote driver**
 (supplied without canopy & driver)

DIMMING PROTOCOL	Driver and canopy not included		
FINISH (DIFFUSER + STRUCTURE)	SOURCE	CODE	UNIT PRICE vat excluded
Transparent + Anodized Aluminum	LED 3000K	0013257	740,00 €
	LED 2700K	0013258	740,00 €
Transparent + Matte Black Aluminum	LED 3000K	0013903	740,00 €
	LED 2700K	0013904	740,00 €
Satin Black + Anodized Aluminum	LED 3000K	0013750	935,00 €
	LED 2700K	0013751	935,00 €
Satin Black + Matte Black Aluminum	LED 3000K	0013754	935,00 €
	LED 2700K	0013755	935,00 €

ON REQUEST (PVD: METALIZED TREATMENT)

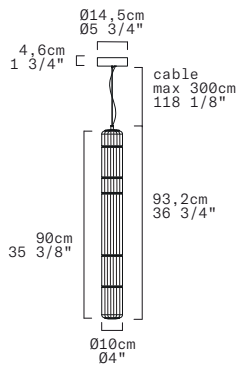
MINIMUM ORDER QUANTITY 8 PCS PER COLOR

DIMMING PROTOCOL	Driver and canopy not included		
FINISH	SOURCE	CODE	UNIT PRICE vat excluded
Metallic Petrol Blue + Anodized Aluminum	LED 3000K	0013758	965,00 €
	LED 2700K	0013759	965,00 €
Metallic Petrol Blue + Matte Black Aluminum	LED 3000K	0013762	965,00 €
	LED 2700K	0013763	965,00 €
Metallic Titanium + Anodized Aluminum	LED 3000K	0013766	965,00 €
	LED 2700K	0013767	965,00 €
Metallic Titanium + Matte Black Aluminum	LED 3000K	0013770	965,00 €
	LED 2700K	0013771	965,00 €

STACKING S 90 V RIG - INDOOR

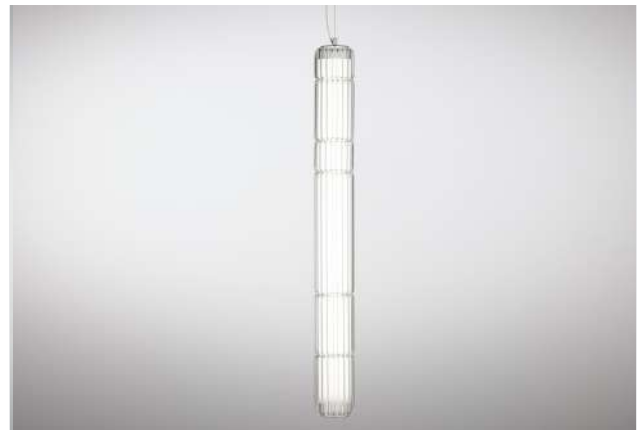
PENDANT - SOSPENSIONE

David Rockwell, 2024



Discover more

REPLACEABLE LED





Standard version (supplied with canopy & driver)

DIMMING PROTOCOL	Push-dim; 0/1-10V, DALI		
FINISH (DIFFUSER + STRUCTURE)	SOURCE	CODE	UNIT PRICE vat excluded
Transparent Rigadin + Anodized Aluminum	LED 3000K	0013549	1.970,00 €
	LED 2700K	0013550	1.970,00 €
Transparent Rigadin + Matte Black Aluminum	LED 3000K	0013794	1.970,00 €
	LED 2700K	0013795	1.970,00 €
Tobacco Rigadin + Anodized Aluminum	LED 3000K	0013850	2.315,00 €
	LED 2700K	0013851	2.315,00 €
Tobacco Rigadin + Matte Black Aluminum	LED 3000K	0013852	2.315,00 €
	LED 2700K	0013853	2.315,00 €

Class 3 version installation with remote driver (supplied without canopy & driver)

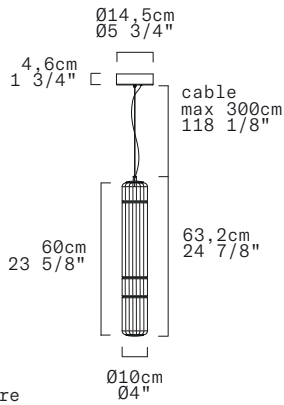
DIMMING PROTOCOL	Driver and canopy not included		
FINISH (DIFFUSER + STRUCTURE)	SOURCE	CODE	UNIT PRICE vat excluded
Transparent Rigadin + Anodized Aluminum	LED 3000K	0013551	1.780,00 €
	LED 2700K	0013552	1.780,00 €
Transparent Rigadin + Matte Black Aluminum	LED 3000K	0013800	1.780,00 €
	LED 2700K	0013801	1.780,00 €
Tobacco Rigadin + Anodized Aluminum	LED 3000K	0013794	2.120,00 €
	LED 2700K	0013795	2.120,00 €
Tobacco Rigadin + Matte Black Aluminum	LED 3000K	0013798	2.120,00 €
	LED 2700K	0013799	2.120,00 €

TECHNICAL SHEET	
MATERIALS	Diffuser: Blown Borosilicate Glass Structure: Aluminum
DIMENSIONS	Diffuser: Ø10cm H90cm [Ø4" 35 3/8"] Canopy: Ø14,5cm H4,6cm [Ø5 3/4" H1 3/4"] Cable length: 300cm [118 1/8"]
CANOPY	Matte white
LIGHT SOURCE	5 X LED STRIP 24V 21,25W (total) 2443 lm (nominal) 3000K CRI≥90 5 X LED STRIP 24V 21,25W (total) 2337 lm (nominal) 2700K CRI≥90
DIMMING PROTOCOL	Push-dim; 0/1-10V, DALI
MARKING	 
NET WEIGHT	5,4kg

STACKING S 60 V RIG - INDOOR

PENDANT - SOSPENSIONE

David Rockwell, 2024



Discover more

REPLACEABLE LED





Standard version (supplied with canopy & driver)

DIMMING PROTOCOL	Push-dim; 0/1-10V, DALI		
FINISH (DIFFUSER + STRUCTURE)	SOURCE	CODE	UNIT PRICE vat excluded
Transparent Rigadin + Anodized Aluminum	LED 3000K	0013553	1.510,00 €
	LED 2700K	0013554	1.510,00 €
Transparent Rigadin + Matte Black Aluminum	LED 3000K	0013880	1.510,00 €
	LED 2700K	0013881	1.510,00 €
Tobacco Rigadin + Anodized Aluminum	LED 3000K	0013854	1.780,00 €
	LED 2700K	0013855	1.780,00 €
Tobacco Rigadin + Matte Black Aluminum	LED 3000K	0013856	1.780,00 €
	LED 2700K	0013857	1.780,00 €

Class 3 version installation with remote driver (supplied without canopy & driver)

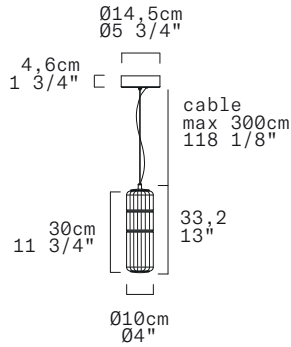
DIMMING PROTOCOL	Driver and canopy not included		
FINISH (DIFFUSER + STRUCTURE)	SOURCE	CODE	UNIT PRICE vat excluded
Transparent Rigadin + Anodized Aluminum	LED 3000K	0013555	1.325,00 €
	LED 2700K	0013556	1.325,00 €
Transparent Rigadin + Matte Black Aluminum	LED 3000K	0013810	1.325,00 €
	LED 2700K	0013811	1.325,00 €
Tobacco Rigadin + Anodized Aluminum	LED 3000K	0013804	1.585,00 €
	LED 2700K	0013805	1.585,00 €
Tobacco Rigadin + Matte Black Aluminum	LED 3000K	0013808	1.585,00 €
	LED 2700K	0013809	1.585,00 €

TECHNICAL SHEET	
MATERIALS	Diffuser: Blown Borosilicate Glass Structure: Aluminum
DIMENSIONS	Diffuser: Ø10cm H60cm [Ø4" 23 5/8"] Canopy: Ø14,5cm H4,6cm [Ø5 3/4" 1 3/4"] Cable length: 300cm [118 1/8"]
CANOPY	Matte white
LIGHT SOURCE	5 X LED STRIP 24V 13,75W (total) 1581 lm (nominal) 3000K CRI≥90 5 X LED STRIP 24V 13,75W (total) 1512 lm (nominal) 2700K CRI≥90
DIMMING PROTOCOL	Push-dim; 0/1-10V, DALI
MARKING	 
NET WEIGHT	3,9kg

STACKING S 30 V RIG - INDOOR

PENDANT - SOSPENSIONE

David Rockwell, 2024



Discover more

REPLACEABLE LED

TECHNICAL SHEET

MATERIALS	Diffuser: Blown Borosilicate Glass Structure: Aluminum
DIMENSIONS	Diffuser: Ø10cm H30cm [Ø4" H11 3/4"] Canopy: Ø14,5cm H4,6cm [Ø5 3/4" H1 3/4"] Cable length: 300cm [118 1/8"]
CANOPY	Matte white
LIGHT SOURCE	5 X LED STRIP 24V 6,25W (total) 718 lm (nominal) 3000K CRI≥90 5 X LED STRIP 24V 6,25W (total) 687 lm (nominal) 2700K CRI≥90
DIMMING PROTOCOL	Push-dim; 0/1-10V, DALI
MARKING	CE IP20
NET WEIGHT	2,7kg



⊕ Standard version (supplied with canopy & driver)

DIMMING PROTOCOL	Push-dim; 0/1-10V, DALI		
FINISH (DIFFUSER + STRUCTURE)	SOURCE	CODE	UNIT PRICE vat excluded
Transparent Rigadin + Anodized Aluminum	LED 3000K	0013557	985,00 €
	LED 2700K	0013558	985,00 €
Transparent Rigadin + Matte Black Aluminum	LED 3000K	0013882	985,00 €
	LED 2700K	0013883	985,00 €
Tobacco Rigadin + Anodized Aluminum	LED 3000K	0013858	1.130,00 €
	LED 2700K	0013859	1.130,00 €
Tobacco Rigadin + Matte Black Aluminum	LED 3000K	0013860	1.130,00 €
	LED 2700K	0013861	1.130,00 €

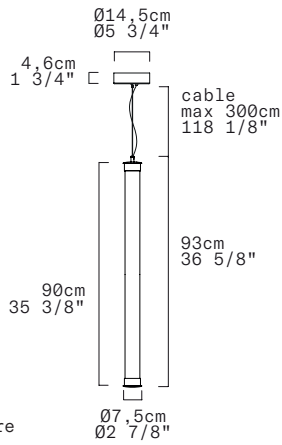
⊖ Class 3 version installation with remote driver (supplied without canopy & driver)

DIMMING PROTOCOL	Driver and canopy not included		
FINISH (DIFFUSER + STRUCTURE)	SOURCE	CODE	UNIT PRICE vat excluded
Transparent Rigadin + Anodized Aluminum	LED 3000K	0013559	840,00 €
	LED 2700K	0013560	840,00 €
Transparent Rigadin + Matte Black Aluminum	LED 3000K	0013820	840,00 €
	LED 2700K	0013821	840,00 €
Tobacco Rigadin + Anodized Aluminum	LED 3000K	0013814	975,00 €
	LED 2700K	0013815	975,00 €
Tobacco Rigadin + Matte Black Aluminum	LED 3000K	0013818	975,00 €
	LED 2700K	0013819	975,00 €

STACKING S 90 V NAKED - INDOOR

PENDANT - SOSPENSIONE



David Rockwell, 2023



Discover more

REPLACEABLE LED



TECHNICAL SHEET	
MATERIALS	Diffuser: Polymethacrylate Structure: Aluminum
DIMENSIONS	Diffuser: Ø7,5cm H90cm [Ø2 7/8" H35 3/8"] Canopy: Ø14,5cm H4,6cm [Ø5 3/4" H1 3/4"] Cable length: 300cm [118 1/8"]
CANOPY	Matte white
LIGHT SOURCE	5 X LED STRIP 24V 21,25W (total) 2443 lm (nominal) 3000K CRI≥90 5 X LED STRIP 24V 21,25W (total) 2337 lm (nominal) 2700K CRI≥90
DIMMING PROTOCOL	Push-dim; 0/1-10V, DALI
MARKING	 
NET WEIGHT	2,6kg

Standard version (supplied with canopy & driver)

DIMMING PROTOCOL	Push-dim; 0/1-10V, DALI		
FINISH (DIFFUSER + STRUCTURE)	SOURCE	CODE	UNIT PRICE vat excluded
White + Anodized Aluminum	LED 3000K	0012435	1.240,00 €
	LED 2700K	0012436	1.240,00 €

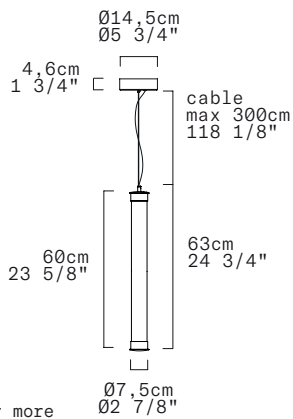
Class 3 version installation with remote driver (supplied without canopy & driver)

DIMMING PROTOCOL	Driver and canopy not included		
FINISH (DIFFUSER + STRUCTURE)	SOURCE	CODE	UNIT PRICE vat excluded
White + Anodized Aluminum	LED 3000K	0013271	985,00 €
	LED 2700K	0013272	985,00 €

STACKING S 60 V NAKED - INDOOR

PENDANT - SOSPENSIONE

David Rockwell, 2023





Discover more

REPLACEABLE LED



TECHNICAL SHEET

MATERIALS	Diffuser: Polymethacrylate Structure: Aluminum
DIMENSIONS	Diffuser: Ø7,5cm H60cm [Ø2 7/8" H23 5/8"] Canopy: Ø14,5cm H4,6cm [Ø5 3/4" H1 3/4"] Cable lenght: 300cm [118 1/8"]
CANOPY	Matte white
LIGHT SOURCE	5 X LED STRIP 24V 13,75W (total) 1581 lm (nominal) 3000K CRI≥90 5 X LED STRIP 24V 13,75W (total) 1512 lm (nominal) 2700K CRI≥90
DIMMING PROTOCOL	Push-dim; 0/1-10V, DALI
MARKING	 
NET WEIGHT	2kg

Standard version (supplied with canopy & driver)

DIMMING PROTOCOL	Push-dim; 0/1-10V, DALI		
FINISH (DIFFUSER + STRUCTURE)	SOURCE	CODE	UNIT PRICE vat excluded
White + Anodized Aluminum	LED 3000K	0012437	1.000,00 €
	LED 2700K	0012438	1.000,00 €

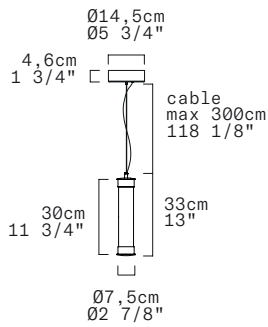
Class 3 version installation with remote driver (supplied without canopy & driver)

DIMMING PROTOCOL	Driver and canopy not included		
FINISH (DIFFUSER + STRUCTURE)	SOURCE	CODE	UNIT PRICE vat excluded
White + Anodized Aluminum	LED 3000K	0013269	770,00 €
	LED 2700K	0013270	770,00 €

STACKING S 30 V NAKED - INDOOR

PENDANT - SOSPENSIONE

David Rockwell, 2023



Discover more

REPLACEABLE LED



TECHNICAL SHEET	
MATERIALS	Diffuser: Polymethacrylate Structure: Aluminum
DIMENSIONS	Diffuser: Ø7,5cm H30cm [Ø2 7/8" H11 3/4"] Canopy: Ø14,5cm H4,6cm [Ø5 3/4" 1 3/4"] Cable length: 300cm [118 1/8"]
CANOPY	Matte white
LIGHT SOURCE	5 X LED STRIP 24V 6,25W (total) 718 lm (nominal) 3000K CRI≥90 5 X LED STRIP 24V 6,25W (total) 687 lm (nominal) 2700K CRI≥90
DIMMING PROTOCOL	Push-dim; 0/1-10V, DALI
MARKING	CE IP20
NET WEIGHT	1,7kg

Standard version (supplied with canopy & driver)

DIMMING PROTOCOL	Push-dim; 0/1-10V, DALI		
FINISH (DIFFUSER + STRUCTURE)	SOURCE	CODE	UNIT PRICE vat excluded
White + Anodized Aluminum	LED 3000K	0012439	780,00 €
	LED 2700K	0012440	780,00 €

Class 3 version installation with remote driver (supplied without canopy & driver)

DIMMING PROTOCOL	Driver and canopy not included		
FINISH (DIFFUSER + STRUCTURE)	SOURCE	CODE	UNIT PRICE vat excluded
White + Anodized Aluminum	LED 3000K	0013267	585,00 €
	LED 2700K	0013268	585,00 €

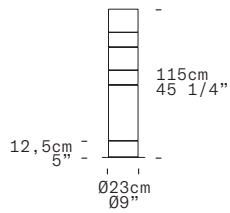
STACKING FLOOR



STACKING B TR - INDOOR



Rockwell Group, 2007

FLOOR - TERRA



Discover more



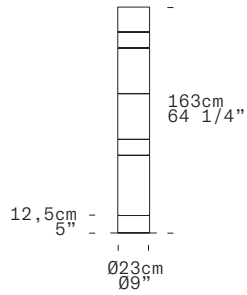
TECHNICAL SHEET	
MATERIALS	Diffuser: Blown Glass Structure: Metal
DIMENSIONS	Diffuser: Ø23cm h115cm [Ø9" h45 1/4"] Cable lenght: 220cm [86 5/8"]
LIGHT SOURCE	GU10 4 x 7W Retrofit LED
DIMMING PROTOCOL	Dimmer on cord
MARKNG	  IP20
NET WEIGHT	29kg

DIMMING PROTOCOL	Dimmer on cord		
FINISH (DIFFUSER + STRUCTURE)	SOURCE	CODE	UNIT PRICE vat excluded
Smoke Grey, White, Smoke Grey, White, Mirror + Chrome	GU10	0004096	3.170,00 €
NOTE	Light bulbs not included		

STACKING C TR - INDOOR

Rockwell Group, 2007

FLOOR - TERRA



Discover more



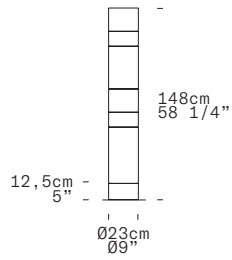
TECHNICAL SHEET	
MATERIALS	Diffuser: Blown Glass Structure: Metal
DIMENSIONS	Diffuser: Ø23cm h163cm [Ø9" h64 1/4"] Cable lenght: 220cm [86 5/8"]
LIGHT SOURCE	GU10 4 x 7W Retrofit LED
DIMMING PROTOCOL	Dimmer on cord
MARKNG	
NET WEIGHT	36,7g

DIMMING PROTOCOL	Dimmer on cord		
FINISH (DIFFUSER + STRUCTURE)	SOURCE	CODE	UNIT PRICE vat excluded
Smoke Grey, White, Amber, Tobacco, White, Amber + Gold	GU10	0004098	3.580,00 €
NOTE	Light bulbs not included		

STACKING D TR - INDOOR




Rockwell Group, 2007

FLOOR - TERRA



Discover more



TECHNICAL SHEET			
MATERIALS	Diffuser: Blown Glass Structure: Metal		
DIMENSIONS	Diffuser: Ø23cm h148cm [Ø9" h58 1/4"] Cable lenght: 220cm [86 5/8"]		
LIGHT SOURCE	GU10 4 X 7W Retrofit LED		
DIMMING PROTOCOL	Dimmer on cord		
MARKNG	  		
NET WEIGHT	30,2kg		
DIMMING PROTOCOL	Dimmer on cord		
FINISH (DIFFUSER + STRUCTURE)	SOURCE	CODE	UNIT PRICE vat excluded
White, Gold, Transparent Tobacco, White, Gold, Black + Gold	GU10	0004100	4.100,00 €
NOTE	Light bulbs not included		

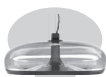
AURELIA



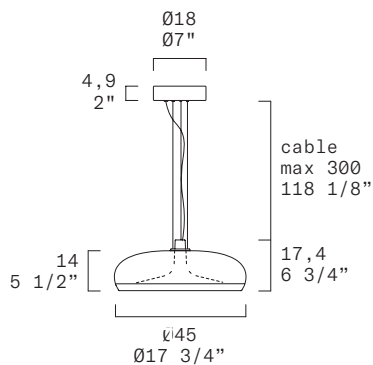
AURELIA S 45 SS (SINGLE SWITCH) - INDOOR

PENDANT - SOSPENSIONE

Patrick Jouin, 2021



Direct light
+ Indirect light



Discover more

REPLACEABLE LED



[7]

TECHNICAL SHEET	
MATERIALS	Diffuser: Blown Glass Structure: Metal
DIMENSIONS	Diffuser: Ø45 cm H14 cm [Ø17 3/4" H5 1/2"] Canopy: Ø18 cm H4,9cm [Ø7" H2"] Cable length: 300 cm [118 1/8"]
LIGHT SOURCE	Direct: LED 1 X 11,6W 1531 lm (nominal) 3000K CRI≥90 Indirect: LED 1 X 14,4W 2450 lm (nominal) 3000K CRI≥90 or Direct: LED 1 X 11,6W 1471 lm (nominal) 2700K CRI≥90 Indirect: LED 1 X 14,4W 2360 lm (nominal) 2700K CRI≥90
DIMMING PROTOCOL	Push-dim; 0/1-10V; Dali
MARKING	
NET WEIGHT	9,3kg

DIMMING PROTOCOL	Push-dim; 0/1-10V; Dali		
FINISH (DIFFUSER + STRUCTURE)	SOURCE	CODE	UNIT PRICE vat excluded
[1] Smoke Grey + Matte White	LED 3000K LED 2700K	0012332 0012333	1.630,00 € 1.630,00 €
[2] Smoke Grey + Vintage Brass	LED 3000K LED 2700K	0012334 0012335	1.630,00 € 1.630,00 €
[3] Smoke Grey + Matte Gunmetal	LED 3000K LED 2700K	0012336 0012337	1.630,00 € 1.630,00 €
[4] Shaded Burgundy + Matte White	LED 3000K LED 2700K	0012447 0012448	1.750,00 € 1.750,00 €
[5] Shaded Burgundy + Vintage Brass	LED 3000K LED 2700K	0012449 0012450	1.750,00 € 1.750,00 €
[6] Shaded Burgundy + Matte Gunmetal	LED 3000K LED 2700K	0012451 0012452	1.750,00 € 1.750,00 €
[7] Transparent Water Effect + Matte White	LED 3000K LED 2700K	0012453 0012454	1.750,00 € 1.750,00 €
[8] Transparent Water Effect + Vintage Brass	LED 3000K LED 2700K	0012455 0012456	1.750,00 € 1.750,00 €
[9] Transparent Water Effect + Matte Gunmetal	LED 3000K LED 2700K	0012457 0012458	1.750,00 € 1.750,00 €
[10] Blue Water Effect + Matte White	LED 3000K LED 2700K	0012459 0012460	1.750,00 € 1.750,00 €
[11] Blue Water Effect + Vintage Brass	LED 3000K LED 2700K	0012461 0012462	1.750,00 € 1.750,00 €
[12] Blue Water Effect + Matte Gunmetal	LED 3000K LED 2700K	0012463 0012464	1.750,00 € 1.750,00 €
[13] Transparent "Pulegoso" with metal powder inclusion + Matte White	LED 3000K LED 2700K	0012465 0012466	1.750,00 € 1.750,00 €
[14] Transparent "Pulegoso" with metal powder inclusion + Vintage Brass	LED 3000K LED 2700K	0012467 0012468	1.750,00 € 1.750,00 €
[15] Transparent "Pulegoso" with metal powder inclusion + Matte Gunmetal	LED 3000K LED 2700K	0012469 0012470	1.750,00 € 1.750,00 €

ON REQUEST

Class 3 version installation with remote driver
(supplied without canopy & driver)

DIMMING PROTOCOL	Driver and canopy not included
------------------	--------------------------------

STRUCTURE

Matte white

Vintage Brass

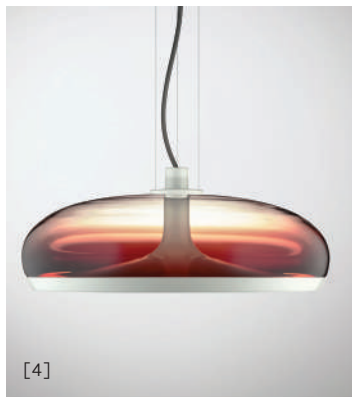
Matte Gunmetal

DIFFUSER

Smoke Grey



Shaded Burgundy



Transparent Water Effect



Blue Water Effect



STANDARD COLOR FINISHES - FINITURE STANDARD

STRUCTURE

Matte white

Vintage Brass

Matte Gunmetal

DIFFUSER

Transparent
"Pulegoso"
with metal
powder
inclusion



STANDARD COLOR FINISHES - FINITURE STANDARD

Please, refer to the number on the pictures to match the correct code of the color finishes in the spec sheets.
Si prega di fare riferimento al numero sulle immagini per abbinare il codice corretto delle finiture colore nelle schede tecniche.

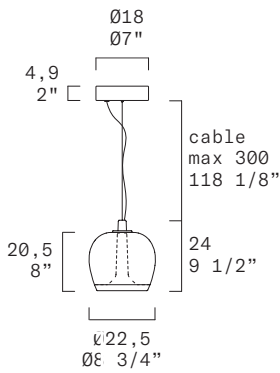
AURELIA BOLD S 22 SS (SINGLE SWITCH) - INDOOR

PENDANT - SOSPENSIONE

Patrick Jouin, 2021



Direct light
+ Indirect light



Discover more

REPLACEABLE LED



[14]

TECHNICAL SHEET	
MATERIALS	Diffuser: Blown Glass Structure: Metal
DIMENSIONS	Diffuser: Ø22,5 cm H20,5 cm [Ø8 3/4" H8"] Canopy: Ø18 cm H4,9cm [Ø7" H2"] Cable length: 300 cm [118 1/8"]
LIGHT SOURCE	Direct: LED 1 X 11,6W 1531 lm (nominal) 3000K CRI≥90 Indirect: LED 1 X 5,8W 980 lm (nominal) 3000K CRI≥90 or Direct: LED 1 X 11,6W 1471 lm (nominal) 2700K CRI≥90 Indirect: LED 1 X 5,8W 944 lm (nominal) 2700K CRI≥90
DIMMING PROTOCOL	Push-dim; 0/1-10V; Dali
MARKING	
NET WEIGHT	3,5kg

DIMMING PROTOCOL	Push-dim; 0/1-10V; Dali		
FINISH (DIFFUSER + STRUCTURE)	SOURCE	CODE	UNIT PRICE vat excluded
[1] Smoke Grey + Matte White	LED 3000K LED 2700K	0012344 0012345	1.180,00 € 1.180,00 €
[2] Smoke Grey + Vintage Brass	LED 3000K LED 2700K	0012346 0012347	1.180,00 € 1.180,00 €
[3] Smoke Grey + Matte Gunmetal	LED 3000K LED 2700K	0012348 0012349	1.180,00 € 1.180,00 €
[4] Shaded Burgundy + Matte White	LED 3000K LED 2700K	0012477 0012478	1.270,00 € 1.270,00 €
[5] Shaded Burgundy + Vintage Brass	LED 3000K LED 2700K	0012479 0012480	1.270,00 € 1.270,00 €
[6] Shaded Burgundy + Matte Gunmetal	LED 3000K LED 2700K	0012481 0012482	1.270,00 € 1.270,00 €
[7] Transparent Water Effect + Matte White	LED 3000K LED 2700K	0012483 0012484	1.270,00 € 1.270,00 €
[8] Transparent Water Effect + Vintage Brass	LED 3000K LED 2700K	0012485 0012486	1.270,00 € 1.270,00 €
[9] Transparent Water Effect + Matte Gunmetal	LED 3000K LED 2700K	0012487 0012488	1.270,00 € 1.270,00 €
[10] Blue Water Effect + Matte White	LED 3000K LED 2700K	0012489 0012490	1.270,00 € 1.270,00 €
[11] Blue Water Effect + Vintage Brass	LED 3000K LED 2700K	0012491 0012492	1.270,00 € 1.270,00 €
[12] Blue Water Effect + Matte Gunmetal	LED 3000K LED 2700K	0012493 0012494	1.270,00 € 1.270,00 €
[13] Transparent "Pulegoso" with metal powder inclusion + Matte White	LED 3000K LED 2700K	0012495 0012496	1.270,00 € 1.270,00 €
[14] Transparent "Pulegoso" with metal powder inclusion + Vintage Brass	LED 3000K LED 2700K	0012497 0012498	1.270,00 € 1.270,00 €
[15] Transparent "Pulegoso" with metal powder inclusion + Matte Gunmetal	LED 3000K LED 2700K	0012499 0012500	1.270,00 € 1.270,00 €

ON REQUEST

Class 3 version installation with remote driver
(supplied without canopy & driver)

DIMMING PROTOCOL	Driver and canopy not included
------------------	--------------------------------

STRUCTURE

Matte white

Vintage Brass

Matte Gunmetal

DIFFUSER

Smoke Grey



Shaded Burgundy



Transparent Water Effect



Blue Water Effect



STANDARD COLOR FINISHES - FINITURE STANDARD

STRUCTURE

Matte white

Vintage Brass

Matte Gunmetal

DIFFUSER

Transparent
"Pulegoso"
with metal
powder
inclusion



STANDARD COLOR FINISHES - FINITURE STANDARD

Please, refer to the number on the pictures to match the correct code of the color finishes in the spec sheets.
Si prega di fare riferimento al numero sulle immagini per abbinare il codice corretto delle finiture colore nelle schede tecniche.

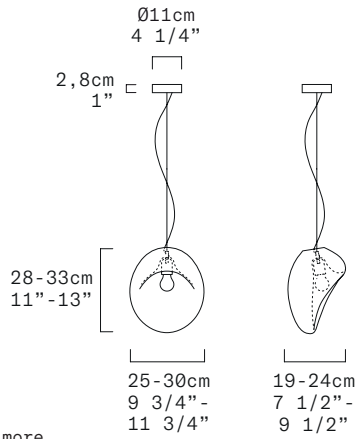
LIGHTBODY



LIGHTBODY S - INDOOR

PENDANT - SOSPENSIONE



Jörg Hugo, 2021



Discover more



[5]

TECHNICAL SHEET	
MATERIALS	Diffuser: Blown Glass Structure: Metal
DIMENSIONS	Diffuser: 25-30cm H28-33cm [9 3/4"-11 3/4" H11"-13"] Canopy: $\varnothing 11\text{cm}$ H2,8cm [$\varnothing 4 \frac{1}{4}''$ H1"] Cable length: 300 cm [118 1/8"]
LIGHT SOURCE	E27 1 x 10W Retrofit LED
MARKING	  IP 20
NET WEIGHT	4,1kg

FINISH (DIFFUSER + STRUCTURE)	SOURCE	CODE	UNIT PRICE vat excluded
[[1] Trasparent + Matte Chrome	E27	0012403	920,00 €
[2] Trasparent with Satin Finish + Matte Chrome	E27	0012404	920,00 €
[3] Shaded Burgundy + Matte Chrome	E27	0012405	1.020,00 €
[4] Shaded White + Matte Chrome	E27	0012406	1.020,00 €
[5] Trasparent Pink + Matte Chrome	E27	0012407	960,00 €
NOTE	Light bulb not included		

STRUCTURE

STANDARD COLOR FINISHES - FINITURE STANDARD

DIFFUSER

Transparent



Shaded Burgundy



Transparent Pink



DIFFUSER

Transparent with White Finish



Shaded White

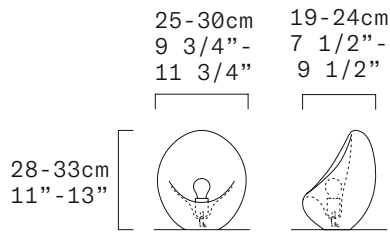


Please, refer to the number on the pictures to match the correct code of the color finishes in the spec sheets.
Si prega di fare riferimento al numero sulle immagini per abbinare il codice corretto delle finiture colore nelle schede tecniche.

LIGHTBODY T - INDOOR

Jörg Hugo, 2021

TABLE - TAVOLO



Discover more



TECHNICAL SHEET	
MATERIALS	Diffuser: Blown Glass Structure: Metal
DIMENSIONS	Diffuser: 25-30cm H28-33cm [9 3/4"-11 3/4" H11"-13"] Cable length: 185 cm [72 7/8"]
LIGHT SOURCE	E27 1 x 10W Retrofit LED
CONTROL	On-Off
MARKING	
NET WEIGHT	4,2kg

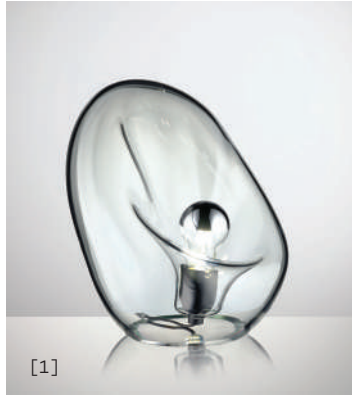
CONTROL	On-Off		
	FINISH (DIFFUSER + STRUCTURE)	SOURCE	CODE
[1] Trasparent + Matte Black	E27	0012195	810,00 €
[2] Trasparent with Satin Finish + Matte Black	E27	0012395	810,00 €
[3] Shaded Burgundy + Matte Black	E27	0012397	915,00 €
[4] Shaded White + Matte Black	E27	0012399	915,00 €
[5] Trasparent Pink + Matte Black	E27	0012401	850,00 €
NOTE	Light bulb not included		

STRUCTURE

STANDARD COLOR FINISHES - FINITURE STANDARD

DIFFUSER

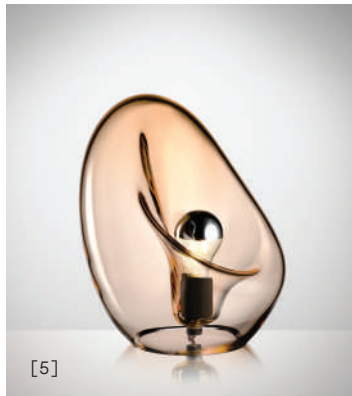
Transparent



Shaded Burgundy



Transparent Pink



DIFFUSER

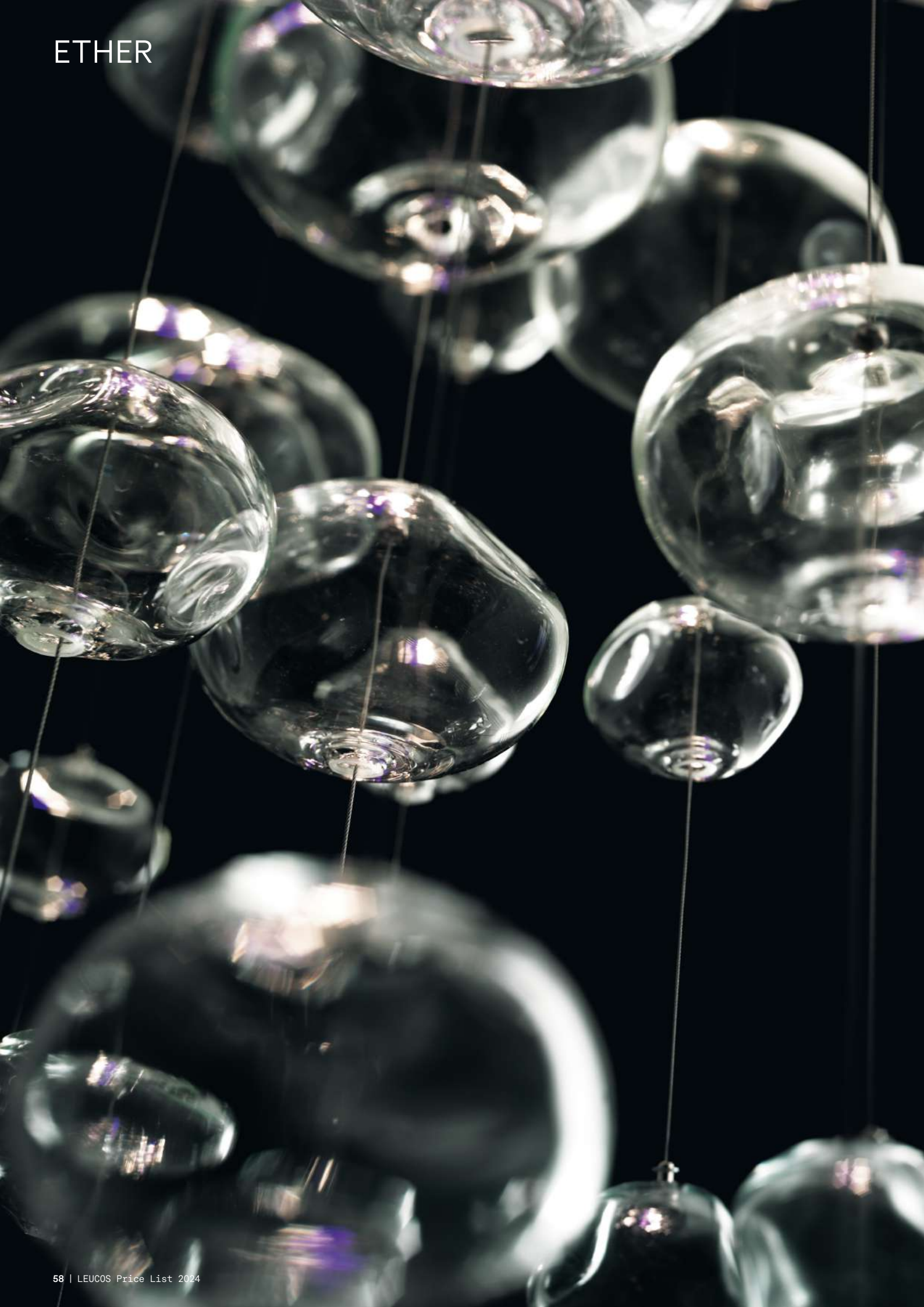
Transparent with White Finish



Shaded White



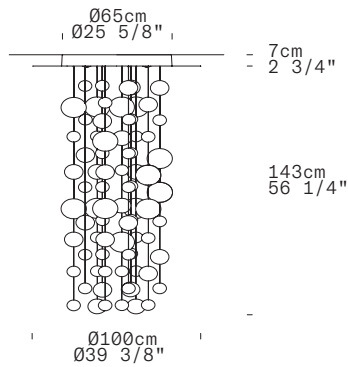
Please, refer to the number on the pictures to match the correct code of the color finishes in the spec sheets.
Si prega di fare riferimento al numero sulle immagini per abbinare il codice corretto delle finiture colore nelle schede tecniche.



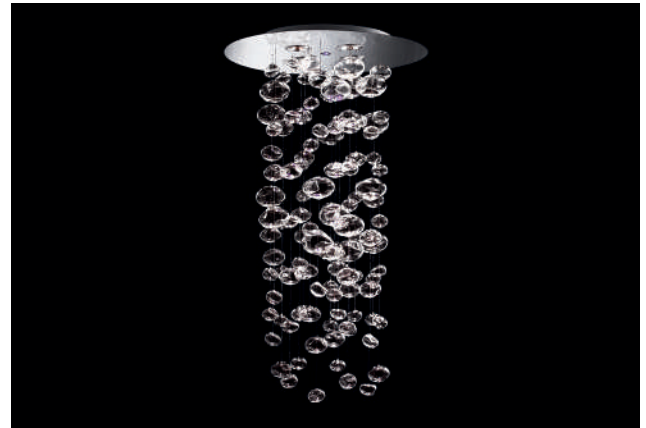
ETHER S 150 - INDOOR




Patrick Jouin, 2006

PENDANT - SOSPENSIONE



Discover more



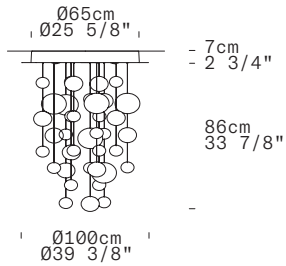
TECHNICAL SHEET	
MATERIALS	Diffuser: Borosilicate Blown Glass Structure: Steel
DIMENSIONS	Diffuser: Ø100cm h143cm [Ø39 3/8" h56" 1/4"] Canopy: Ø65cm h7cm [Ø25 5/8" h2 3/4"]
LIGHT SOURCE	G53 4 x 15W Retrofit LED G53 4 x 15W Retrofit LED + GU5,3 1 x 8W Retrofit LED RGB 6601m
MARKING	  
NET WEIGHT	36,8kg
ON REQUEST	Special Versions

FINISH (DIFFUSER + STRUCTURE)	SOURCE	CODE	UNIT PRICE vat excluded
Transparent + Polished Steel	G53	0010060	6.150,00 €
Transparent + Polished Steel	G53 + GU5,3*	0010061	6.670,00 €
NOTE	*GU5,3 LED with RGB + REMOTE CONTROL (included, usable until 5M)		
NOTE	Light bulbs not included		

ETHER S 90 - INDOOR

Patrick Jouin, 2006

PENDANT - SOSPENSIONE



Discover more



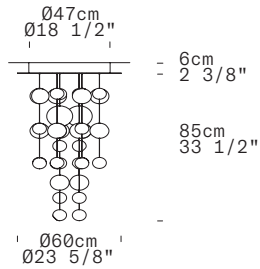
TECHNICAL SHEET	
MATERIALS	Diffuser: Borosilicate Blown Glass Structure: Steel
DIMENSIONS	Diffuser: $\varnothing 100\text{cm}$ h86cm [$\varnothing 39 \frac{3}{8}''$ h33" 7/8"] Canopy: $\varnothing 65\text{cm}$ h7cm [$\varnothing 25 \frac{5}{8}''$ h2 3/4"]
LIGHT SOURCE	G53 4 x 15W Retrofit LED G53 4 x 15W Retrofit LED + GU5,3 1 X 8W Retrofit LED RGB 6601m
MARKING	
NET WEIGHT	30kg
ON REQUEST	Special Versions

FINISH (DIFFUSER + STRUCTURE)	SOURCE	CODE	UNIT PRICE vat excluded
Transparent + Polished Steel	G53	0010064	4.270,00 €
Transparent + Polished Steel	G53 + GU5,3*	0010065	4.690,00 €
NOTE	*GU5,3 LED with RGB + REMOTE CONTROL (included, usable until 5M)		

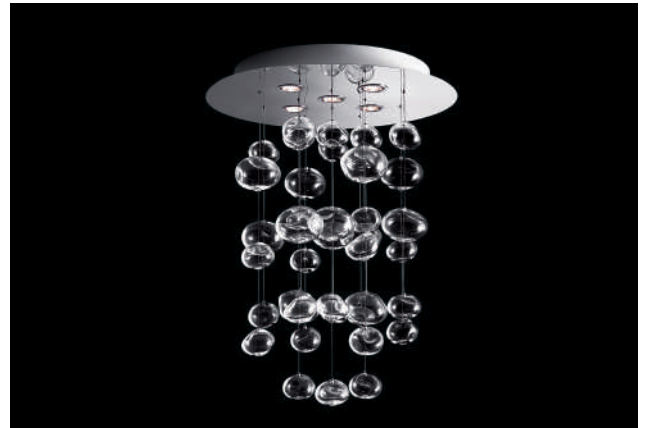
ETHER S - INDOOR

Patrick Jouin, 2007



PENDANT - SOSPENSIONE



Discover more



TECHNICAL SHEET

MATERIALS	Diffuser: Borosilicate Blown Glass Structure: Steel
DIMENSIONS	Diffuser: $\varnothing 60\text{cm}$ h85cm [$\varnothing 23\ 5/8''$ h33 1/2''] Canopy: $\varnothing 47\text{cm}$ h6cm [$\varnothing 18\ 1/2''$ h2 3/8'']
LIGHT SOURCE	GU10 5 x 7W Retrofit LED
MARKING	 
NET WEIGHT	12,60kg
ON REQUEST	Special Versions

FINISH (DIFFUSER + STRUCTURE)	SOURCE	CODE	UNIT PRICE vat excluded
Transparent + Polished Steel	GU10	0010070	2.495,00 €
NOTE	Light bulbs not included		

CUSTOMIZE YOUR ETHER PERSONALIZZA LA TUA ETHER

EN

The Ether pendant light by LEUCOS is the brainchild of the designer Patrick Jouin who first designed the "chandelier-curtain" for the "MIX" restaurant in Las Vegas, by Alain Ducass, in 2005 (photo on the right).

Conceived as part of a scenography, the iconic chandelier was composed of 13800 blown spheres, suspended on steel cables, and creating a cascade of sparkling glass.

A work of art that lights up thanks to sophisticated lights embedded in the ceiling, offering a unique visual experience.

Drawing inspiration from this outstanding project, LEUCOS today offers to Architects and Designers the possibility to customize Ether by choosing the color, size, and quantity of the bubbles, as well as defining the number of spheres per cable based on the length of the drop, giving life to a unique composition tailored to each environment.

Get in contact with us to know more.

IT

La lampada a sospensione Ether di LEUCOS è frutto dell'opera creativa del designer Patrick Jouin, il quale ha ideato per la prima volta il "lampadario-tendaggio" per il ristorante "MIX" di Las Vegas, di Alain Ducass, nel 2005 (foto a destra).

Concepito come parte di una scenografia, l'iconico lampadario è composto da 13.800 sfere soffiate e sospese con cavi d'acciaio, creando una cascata di vetro scintillante.

Un'opera d'arte che si illumina grazie a sofisticate luci incorporate nel soffitto, offrendo un'esperienza visiva unica.

Ispirandosi a questo eccezionale progetto, oggi LEUCOS offre la possibilità ad architetti e designer di personalizzare e configurare Ether scegliendo il colore, le dimensioni e la quantità delle bolle. Si può inoltre definire il numero di sfere per cavo in base alla lunghezza della calata, dando vita a una composizione unica su misura per ogni tipo ambiente.

Contattaci per saperne di più.





The Mix Restaurant
by Jouin Manku Studio
(Las Vegas, USA)

CERTIFICATIONS AND TRADE MARKS

Our lighting fixtures are wired according to Class I specifications. Additional safety precautions against electric shocks are provided besides the insulation of the incoming feeder. All touchable metal components are connected to the grounding. Fixtures wired according to Class II are provided with double insulation, without grounding, while the Class III ones are safe because of the low voltage. High thermic resistance wires are used and halogen bulbs are fitted with glass protector. Epoxidic powders lacquering to guarantee perfect scratch resistance. For easier cleaning of glass diffusors some lukewarm water with vinegar is recommended.

GENERAL INFORMATIONS

LEUCOS reserves the right to modify at any time without notice the technical and aesthetic characteristics of the elements printed in this price list. The colours shown in the price list are an indication only. Regardless of the patent protection, designs and patterns produced by LEUCOS and reported in this price list are protected by copyright. The registered brands quoted in the price list are the exclusive property of their respective owners. All technical details referring to the Retrofit LED 'wattage' are an indication only. Due to the ever-changing improvements of technology, Leucos reserves the right to update both the list of available products and their technical characteristics. It is forbidden to reproduce any part of this price list.

ART. 1 - GENERAL ASPECTS

1.1 The terms and conditions set out hereunder (the "LEUCOS General Terms and Conditions of Sale") are an integral part of the offers and/or proposals made by Leucos (hereinafter "Seller") and of the contracts concluded between Seller and any purchaser (hereinafter "Purchaser") concerning the sale of lighting devices and components, available in the collections bearing the LEUCOS trademark and included in the related catalog, as created and modified from time to time (hereinafter the "Products").

1.2 The LEUCOS General Terms and Conditions of Sale shall apply to all transactions concluded between Seller and Purchaser, without the need for an express reference thereto or for a specific agreement to this effect upon the conclusion of each transaction. All other terms and conditions shall only apply where confirmed in writing by Seller.

1.3 Seller reserves the right to amend, add to or vary the LEUCOS General Terms and Conditions of Sale, appending such variations to the offers or any correspondence sent to Purchaser in writing.

ART. 2 - PRODUCT AVAILABILITY

2.1 Purchaser is aware and accepts that the Products shall be solely those available when the contract is concluded and/or the order is confirmed by Seller.

2.2 Seller reserves the right not to fill an order if the Products can no longer be manufactured or supplied for any reason.

ART. 3 - CONCLUSION OF THE CONTRACT

3.1 Contracts governing the supply of Products shall be considered concluded when Purchaser receives confirmation of its order from Seller.

3.2 Orders and order confirmations must be drafted in written form and signed by Purchaser and may also be sent by fax or e-mail.

3.3 If an order is preceded by an offer by Seller, Purchaser must refer thereto for the issue of the order, it being understood, in any event, that the terms and conditions of supply specified in the offer shall become binding for Seller only if, and to the extent that, the order is subsequently confirmed by Seller in writing.

3.4 Orders and/or modifications of orders made orally or over the telephone shall be confirmed in writing by Purchaser, which shall then receive the pertinent order confirmation from Seller. If this does not occur, Seller assumes no liability for any errors or possible misunderstandings.

3.5 Purchaser shall be liable for the costs of any modifications or transformations to be applied to the Products, where possible.

3.6 Where the purchase and sale contracts provide for multiple deliveries over time, Seller reserves the right to make all modifications of an aesthetic, size and technical nature to the Products that prove necessary or appropriate, in accordance with their functional characteristics and applicable legislation, without this

entitling Purchaser to make any demands or claims or any kind.

ART. 4 - PRICES AND PAYMENTS

4.1 Unless otherwise agreed, prices are stated in euro, inclusive of packaging, but exclusive of VAT, indirect taxes, excise taxes and any taxes for which Purchaser is liable, which shall be paid by the latter. In the event of exemption, Purchaser shall provide Seller with the appropriate documentation.

4.2 Seller may modify the prices of the Products at any time as a consequence of an increase in the costs of raw materials and labor. However, the Products shall not be delivered or offered at increased prices without prior notice.

4.3 Unless otherwise agreed, payments shall be made on Seller's premises, in accordance with the agreed terms and conditions. The terms of payment shall begin to run from the date of the invoice.

4.5 In the event of agreed partial returns, the goods shall nonetheless be paid for in full. After receiving the payment from Purchaser, Seller shall issue a credit note for the return received in accordance with the same terms and conditions of payment applied to Purchaser in the contract.

ART. 5 - NON-PAYMENT OR DELAYED PAYMENT

5.1 Payments may not be delayed and/or withheld for any reason. Any complaints or claims shall not give rise to the right to refuse payment or to offsetting.

5.2 Notwithstanding all rights granted to Seller, in the event of delayed payment or non-payment according to the agreed terms, or of refusal to accept delivery of the Products purchased, and without prejudice to rights relating to ownership:

- a) late payment interest shall apply, in accordance with Legislative Decree 231/2002, with effect from the date on which the payment comes due;
- b) Seller may suspend delivery of the Products, suspend the warranty until resumption of payment, without prejudice to the applicable due date, and allocate the sums previously received to the accounts past due;
- c) the acceleration clause having come into effect, Seller shall be entitled to demand immediate payment of the residual amount due.

ART. 6 - DELIVERY TERMS

6.1 Unless otherwise agreed in writing, no delivery term indicated shall be binding for Seller. Unless otherwise agreed between the parties, delivery terms shall be indicative, as stated in the order confirmation.

6.2 Any liability relating to deliveries deriving from force majeure or other unforeseeable events – including, without limitation, those set out in ART. 12 hereunder – not attributable to Seller shall release Seller from its obligation to comply with the agreed delivery term, even if binding.

6.3 Regardless of the agreed delivery terms (carriage paid to designated port or carriage forward) and of shipping and insurance costs, delivery shall be considered to have been made, and risks transferred accordingly, in all cases and for all intents and purposes, when the goods are loaded onto the vehicle at the moment of departure from Seller's facility.

6.4 If Purchaser does not collect the Products or accept delivery thereof, Seller shall be entitled, once 15 days have elapsed from notice, and without prejudice to the legal remedies, to terminate the contract and resell the Products not collected, informing Purchaser or the terms and conditions of sale, while definitively retaining the advance and any installments of the price already paid by the Client, by way of penalty. The difference between the contractual price (plus the costs of storage and safekeeping) and the proceeds of resale to third parties shall be due from Client, and late payment interest shall accrue on this amount at the rate specified in ART. 5.2 a). The foregoing is without prejudice to Seller's right to compensation for any additional damages suffered.

ART. 7 - RETENTION OF TITLE AND TRANSFER OF RISKS

7.1 Seller shall retain title to the Products until they have been paid for in full, along with all additional costs.

7.2 Once delivery has been made, Purchaser shall be liable for all damages that the Products may suffer or cause.

7.3 Until payment in full, the Products may not be resold without Seller's prior written consent.

ART. 8 - WARRANTY TERMS

8.1 The Products are manufactured in accordance with applicable legislation and Seller offers a warranty for a period of 24 (twenty-four) months from the date of delivery.

8.2 All defects shall be reported according to the conditions indicated in ART. 14 below within eight (8) days of the date of delivery. In the event of latent defects, the period of eight (8) days begins when the defects are discovered.

8.3 If Purchaser is a "Consumer" as defined in ART. 3 of the Consumer Code (Legislative Decree 206/2005), any defects of conformity of the Product must be reported within two (2) months of discovery.

8.4 Seller shall not be liable for any defect in the Products due to drawings, designs or technical specifications provided by Purchaser, or for defects due to wear and tear, inappropriate or improper storage or use, negligence or unskilled use, tampering with or alteration of the Products by Purchaser or by third parties.

8.5 Seller shall not be liable for damages or losses of any kind or nature suffered by part or all of the Products during shipment, regardless of whether shipment is provided by a carrier engaged by third parties, by Purchaser or by Seller, which in this latter case renders no warranty in respect thereof, and shall be released from its delivery obligation by simply delivering the goods to the carrier.

8.6 If a complaint of flaws or defects proves to be justified, the warranty shall be limited to replacement or repair of the defective Products or components, expressly excluding any termination of the contract, reduction of the price, suspension of payment or suspension of the warranty. Replacement of the defective Products shall be at Seller's discretion, following inspection in its laboratories.

ART. 9 - LIMITATION OF LIABILITY

9.1 Seller shall not be liable for direct, indirect and consequential damages, without any limitation whatsoever, suffered by property or persons during the use and/or maintenance of the Products sold. In such cases, Purchaser shall hold Seller harmless and immune from any claims, actions, procedures and/or complaints by harmed third parties against Seller.

9.2 In any event, Seller's liability shall be limited to the cost of the defective products that gave rise to this liability, as quantified by the UNIT PRICE invoiced to Purchaser.

ART. 10 - INDUSTRIAL AND INTELLECTUAL PROPERTY RIGHTS

10.1 Trademarks, patents, designs, plans, prototypes, industrial secrets, know-how and all related industrial and intellectual property rights shall be the sole property of LEUCOS and shall remain its property ever after the sale of the Products.

10.2 Purchaser must obtain Seller's prior written permission in order to use Seller's trademarks and/or signs in its activities.

ART. 11 - TERMINATION

11.1 If Purchaser fails to make payment within the prescribed term or commits an ongoing or serious breach, without remedying it within 30 (thirty) business days from the date of notice to perform sent by LEUCOS, Seller may terminate the contract immediately, without prejudice to any further rights.

11.2 In any event, LEUCOS may terminate the contract immediately in the event of a bankruptcy declaration concerning Purchaser, liquidation, suspension of payments, attachment, insolvency or any other situation that may affect performance by Purchaser.

ART. 12 - FORCE MAJEURE

12.1 If performance of the contract or of any other obligation (other than payment) is obstructed, limited or prevented by events of force majeure that persist for more than three (3) months, each party may terminate the contract, without any liability.

12.2 "Event of force majeure" is defined as any event that is beyond the reasonable control of the interested party, including, without limitation, strikes, lock-ins, boycotts, wars, insurrections, civil wars, acts of vandalism, compliance with laws or government orders, statutes, provisions or directives, accidents, breakdowns of plants or machinery, fires, floods, difficulties, increases in labor or shipping costs or any other circumstances capable of jeopardizing the supply of the Products.

12.3 The interested party shall inform the other party directly of the occurrence of the event of force majeure of which it has become aware and that it believes may jeopardize the performance of the contract.

ART. 13 - PROCESSING OF PERSONAL DATA

13.1 Purchaser's personal data shall be processed in accordance with Italian legislation governing the processing of personal data (Legislative Decree 196/2003). Seller informs Purchaser that Seller is the data controller and that Purchaser's data shall be collected and processed solely for the performance of the contract.

13.2 Refer to the privacy policy statement on the website www.leucos.com for any further information.

ART. 14 - COMMUNICATIONS

With the exception of information of an operational nature, all communications shall be sent in writing, by fax, registered mail with return receipt, certified e-mail (PEC) or express courier to: LEUCOS, via del Commercio 22, 36060 Romano d'Ezzelino (VI) ITALY; PEC: clannsr@legalmail.it

ART. 15 - APPLICABLE LAW AND COURT OF JURISDICTION

15.1 These LEUCOS General Terms and Conditions of Sale, all related purchase and sale contracts and all matters that derive herefrom or are related hereto, shall be governed, construed and implemented in accordance with the laws and regulations in effect in Italy, with the express exclusion of the Vienna Convention on the International Sale of Goods 1980.

15.2 Any disputes that arise between the parties in connection with the interpretation, validity and performance of these LEUCOS General Terms and Conditions of Sale and the related contracts entered into shall come before the sole jurisdiction of the Court of Venice, to the exclusion of all other courts.

15.3 It is understood that only Seller, at its discretion, shall be entitled to waive the jurisdiction of the sole court of jurisdiction, as defined in ART. 15.2 above, in order to take legal action against Purchaser, in its domicile and before the Court with jurisdiction there.

ART. 16 - FINAL PROVISIONS

16.1 The rights and obligations deriving from these LEUCOS General Terms and Conditions of Sale and related purchase and sale contracts may not be assigned without Seller's prior written consent.

16.2 The invalidity of part or all of the provisions of these LEUCOS General Terms and Conditions of Sale shall not undermine the validity of the remaining provisions.

16.3 The rights and remedies of LEUCOS provided for in these LEUCOS General Terms and Conditions of Sale shall not jeopardize any other right or remedy available according to applicable law.

16.4 Any failure to exercise, or delayed exercise, by LEUCOS of its rights shall not constitute waiver or forfeiture of such rights.

16.5 Under no circumstances may the headings of the articles of these LEUCOS General Terms and Conditions be construed as limiting or extending the scope of the content of the particular sections to which they refer.

16.6 These LEUCOS General Terms and Conditions of Sale have been drafted in both Italian and English language versions. In the event of interpretative doubts, the version in Italian shall prevail.

16.7 These LEUCOS General Terms and Conditions of Sale shall enter into effect on March 29, 2019 and shall supersede previous versions.

16.8 Where justified, returns of goods must nonetheless be authorized in writing by Seller's sales office, which shall issue the instructions to be followed.

The LEUCOS General Terms and Conditions of Sale and related purchase and sale contracts may not be assigned without Seller's prior written consent.

16.9 The invalidity of part or all of the provisions of these LEUCOS General Terms and Conditions of Sale shall not undermine the validity of the remaining provisions.

Purchase to Articles 1341 and 1342 of the Italian Civil Code, Purchaser declares that it expressly approves the following clauses of the LEUCOS General Terms and Conditions of Sale: 1.3 (general aspects); 3 (conclusion of the contract); 6 (delivery terms); 8.5 – 8.6 (warranty terms); 9 (limitation of liability); 15 (applicable law and court of jurisdiction); and 16 (final provisions).

CERTIFICAZIONI E MARCHI

Nei nostri apparecchi, cablati secondo le norme relative alla classe I, la protezione contro le folgorazioni si basa, oltre che sull'isolamento del cavo di alimentazione, su una misura di sicurezza supplementare, costituita dal collegamento delle parti metalliche accessibili ad un conduttore di protezione (messa a terra), in modo che tali parti non possano in ogni caso divenire pericolose. Nel caso di apparecchi cablati in classe II, la protezione viene garantita da misure di sicurezza supplementari, costituite da un doppio isolamento delle parti in tensione. Queste misure non comportano l'adozione di dispositivi per la messa a terra. Gli apparecchi appartenenti alla classe III basano la propria sicurezza sull'adozione di una tensione di alimentazione estremamente bassa. I nostri apparecchi sono corredati da cavi ad alta resistenza termica e, in ottemperanza alle norme di sicurezza contro lo scoppio delle lampadine alogene lineari, da schermi protettivi in pyrex. Le laccature sono eseguite con polveri epossidiche essicate in forni ad alta temperatura, metodo che garantisce la massima resistenza ad urti ed abrasioni. Per facilitare le normali operazioni di pulizia dei vetri, consigliamo una soluzione di acqua tiepida ed aceto.

INFORMAZIONI GENERALI

LEUCOS si riserva la facoltà di modificare in qualunque momento e senza preavviso le caratteristiche tecniche ed estetiche degli elementi illustrati nel presente listino. I colori riprodotti nel listino sono indicativi. Indipendentemente dalla tutela brevettuale, i disegni ed i modelli prodotti da LEUCOS e riportati in questo listino sono da considerarsi protetti da diritto di autore. I marchi registrati in questo listino sono di esclusiva proprietà dei rispettivi proprietari. I dati tecnici "wattaggio" riferiti alla sorgente Retrofit LED sono puramente indicativi. Stante la continua evoluzione delle tecnologie, Leucos si riserva di aggiornare sia la lista dei prodotti disponibili che le caratteristiche tecniche degli stessi. È vietata la riproduzione anche parziale di questo listino.

ART. 1 - ASPETTI GENERALI

1.1 I termini e le condizioni qui di seguito indicati (le "Condizioni Generali di Vendita LEUCOS") formano parte integrante delle offerte e/o proposte formulate da Leucos (di seguito "Venditore") e dei contratti conclusi tra il Venditore e qualsivoglia Acquirente (di seguito "Acquirente") riguardanti la vendita di apparecchi di illuminazione e componenti, disponibili nelle collezioni contrassegnate dal marchio LEUCOS e presenti nel relativo catalogo, di volta in volta creati e modificati (di seguito i "Prodotti").

1.2 Le Condizioni Generali di Vendita LEUCOS si applicano a tutte le transazioni concluse tra il Venditore e l'Acquirente senza necessità che vi sia un espresso richiamo alle stesse o uno specifico accordo in tal senso alla conclusione di ogni singola transazione. Qualsiasi condizione o termine differente trova applicazione soltanto se confermato per iscritto da parte del Venditore.

1.3 Il Venditore si riserva il diritto di modificare, integrare o variare le Condizioni Generali di Vendita LEUCOS, allegando tali variazioni alle offerte ovvero a qualsivoglia corrispondenza inviata per iscritto all'Acquirente.

ART. 2 - DISPONIBILITA' PRODOTTI

2.1 L' Acquirente è consapevole ed accetta che i Prodotti siano esclusivamente quelli disponibili al momento della conclusione del contratto e/o della conferma dell'ordine da parte del Venditore.

2.2 Il Venditore si riserva il diritto di non evadere l'ordine nel caso in cui i Prodotti non possano più, per qualunque motivo, essere fabbricati o forniti.

ART. 3 - CONCLUSIONE DEL CONTRATTO

3.1 Il contratto avente ad oggetto la fornitura dei Prodotti si intende concluso nel momento in cui l'Acquirente riceve dal Venditore la conferma del proprio ordine.

3.2 Gli ordini e le conferme d'ordine devono essere necessariamente redatti in forma scritta e sottoscritti dall'Acquirente e possono essere trasmessi anche a mezzo fax o posta elettronica.

3.3 Qualora l'ordine sia preceduto da un'offerta del Venditore,

L'Acquirente dovrà fare riferimento ad essa per l'emissione dell'ordine, fermo restando che, in ogni caso, i termini e le condizioni di fornitura specificati nell'offerta diventeranno vincolanti per il Venditore solo se e nei limiti in cui l'ordine venga successivamente confermato per iscritto dal medesimo.

3.4 Gli ordini e/o le modifiche di ordini effettuati verbalmente o telefonicamente devono essere confermati per iscritto dall'Acquirente che riceverà, a sua volta, la relativa conferma d'ordine da parte del Venditore. In caso contrario il Venditore non si assume alcuna responsabilità con riguardo a eventuali errori o possibili fraintendimenti.

3.5 I costi relativi ad eventuali modifiche o trasformazioni da eseguirsi sui Prodotti, laddove possibili, saranno a carico dell'Acquirente.

3.6 Laddove i contratti di compravendita prevedano più consegne nel tempo, il Venditore si riserva la facoltà di apportare ai Prodotti tutte le modifiche di natura estetica, dimensionale e tecnica che, nel rispetto delle relative caratteristiche funzionali e della normativa vigente, dovessero rendersi necessarie od opportune, senza che per ciò l'Acquirente possa avanzare pretese o reclami di alcun tipo.

ART. 4 - PREZZI E PAGAMENTI

4.1 Salvo diversa pattuizione, i prezzi sono indicati in Euro, comprensivi di imballaggio, con esclusione di IVA, imposte indirette, tasse, accise, così come qualsivoglia imposta a carico dell'Acquirente che sarà corrisposta da quest'ultimo; in caso di esenzione, l'Acquirente fornirà al Venditore appropriata documentazione.

4.2 Il Venditore potrà in qualsiasi momento modificare i prezzi dei Prodotti in conseguenza dell'aumento di costi delle materie prime e della manodopera; tuttavia, i Prodotti non saranno consegnati ovvero offerti a prezzi aumentati senza previa comunicazione.

4.3 Salvo diversa pattuizione, i pagamenti saranno effettuati presso la sede del Venditore, nel rispetto dei termini e delle condizioni concordate; i termini di pagamento decorrono dalla data della fattura.

4.5 In caso di resi parziali concordati, la fornitura dovrà essere comunque pagata per intero. Ricevuto il pagamento da parte dell'Acquirente, il Venditore provvederà ad emettere nota di accredito sul reso ricevuto nel rispetto delle stesse condizioni e termini di pagamento concessi all'Acquirente nel contratto.

ART. 5 - MANCATO O RITARDATO PAGAMENTO

5.1 Per nessuna ragione i pagamenti potranno essere ritardati e/o trattenuti; eventuali reclami o contestazioni non daranno diritto al rifiuto del pagamento ovvero ad eventuali compensazioni.

5.2 Fatti salvi tutti i diritti riconosciuti al Venditore, in caso di ritardo o difetto di pagamento entro i termini convenuti, o di rifiuto di presa in consegna dei Prodotti acquistati e senza pregiudizio all'esercizio dei diritti afferenti alla proprietà:

- saranno applicati gli interessi di mora, ai sensi del decreto legislativo n. 231/2002, a decorrere dalla data in cui sia maturato il diritto al pagamento;
- il Venditore potrà sospendere la consegna dei Prodotti così come interrompere la garanzia fino alla sua ripresa, senza pregiudizio sulla relativa data di scadenza nonché imputare le somme fino a quel momento ricevute ai debiti scaduti;
- l'Acquirente decadrà dal beneficio del termine con diritto per il Venditore di pretendere il pagamento immediato del debito residuo.

ART. 6 - TERMINI DI CONSEGNA

6.1 Se non diversamente concordato per iscritto, qualsiasi termine di consegna indicato non sarà vincolante per il Venditore. Salvo diverso accordo tra le parti, il termine di consegna è indicativo ed è quello precisato nella conferma d'ordine.

6.2 Qualsiasi responsabilità inerente le consegne derivante da forza maggiore o da altri eventi imprevedibili - elencati a titolo esemplificativo, ma non esaustivo, nel successivo ART. 12 - non imputabili al Venditore, liberano quest'ultimo dall'obbligo di rispettare il termine di consegna pattuito anche se vincolante.

6.3 Indipendentemente da quanto pattuito in ordine alla resa (porto franco o assegnato) o ai costi di trasporto e di assicurazione, la consegna ed il conseguente trasferimento dei rischi si considereranno intervenuti, in ogni caso ed a tutti gli effetti, con il caricamento della merce sul mezzo di trasporto alla partenza presso lo stabilimento del Venditore.

6.4 Qualora l'acquirente non provveda al ritiro dei Prodotti o ad accettarne la consegna, il Venditore avrà la facoltà, trascorsi 15

giorni dalla diffida ed impregiudicati i rimedi previsti dalla legge, di risolvere il contratto e di rivendere al meglio i Prodotti non ritirati, comunicando all'Acquirente i termini e le condizioni di vendita, trattenendo in via definitiva e a titolo di penale, l'acconto e le eventuali rate di prezzo già versati dal Cliente. La differenza tra il prezzo contrattuale (maggiorato delle spese di custodia e conservazione) e quello ricavato dalla rivendita a terzi costituirà debito del Cliente, su cui maturano gli interessi di mora nella misura indicata all'ART. 5.2, lett. a). È fatto comunque salvo il diritto del Venditore al risarcimento del maggior danno eventualmente sofferto.

ART. 7 - RISERVA DI PROPRIETA' E TRASFERIMENTO DEI RISCHI

7.1 Il Venditore conserva la proprietà dei Prodotti fino al completo pagamento degli stessi ivi compresi i costi accessori.

7.2 Intervenuta la consegna, l'Acquirente sarà responsabile per tutti i danni che i Prodotti potranno subire o causare.

7.3 Fino a che non sia intervenuto il completo pagamento, i Prodotti non potranno essere rivenduti senza il previo consenso scritto del Venditore.

ART. 8 - TERMINI DI GARANZIA

8.1 I Prodotti sono fabbricati nel rispetto della normativa applicabile ed il Venditore offre garanzia per un periodo di 24 (ventiquattro) mesi dalla data di consegna.

8.2 Qualsivoglia vizio deve essere denunciato con le modalità previste dal successivo ART. 14 entro 8 (otto) giorni dalla data di consegna. In caso di vizi occulti il termine di 8 (otto) giorni inizia a decorrere dal momento della loro scoperta.

8.3 Qualora l'Acquirente sia un "Consumatore", così come definito nell'ART. 3 del Codice del Consumo (decreto legislativo n. 206/2005), la denuncia per l'eventuale difetto di conformità del Prodotto deve essere effettuata entro 2 (due) mesi dalla scoperta.

8.4 Il Venditore non è responsabile per qualsivoglia vizio dei Prodotti derivante da disegni, design o specifiche tecniche fornite dall'Acquirente, così come per i vizi derivanti da usura, inappropriato od inadatto magazzinaggio o modalità d'uso, negligenza o imperizia, manomissione o alterazione dei Prodotti posti in essere dall'Acquirente o da terzi.

8.5 Il Venditore non è responsabile per danni o perdite di qualsiasi genere o natura occorsi alla totalità o parte dei Prodotti durante il trasporto, indipendentemente dal fatto che il trasporto si effettuato da un vettore incaricato da terzi, dall'Acquirente o dallo stesso Venditore, che in tale ultimo caso non assume nessuna garanzia in tal senso liberandosi dall'obbligo della consegna con la semplice rimessa al vettore.

8.6 Nel caso in cui un reclamo per difetti o vizi si riveli ben fondato, la garanzia sarà limitata alla sostituzione o alla riparazione dei Prodotti viziati o dei componenti difettosi con espressa esclusione di qualsivoglia risoluzione contrattuale, riduzione del prezzo, sospensione del pagamento o interruzione della garanzia. La sostituzione dei prodotti difettosi sarà a discrezione del Venditore previa verifica presso i propri laboratori.

ART. 9 - LIMITAZIONE DELLA RESPONSABILITA'

9.1 Il Venditore non è responsabile per i danni diretti, indiretti e consequenziali senza limitazione alcuna, sofferti da cose o persone durante l'uso e/o la manutenzione dei Prodotti venduti. In tali casi l'Acquirente dovrà mantenere il Venditore esente ed immune da qualsivoglia eventuale domanda, azione, procedura e/o reclamo azionato da terzi danneggiati nei confronti del medesimo.

9.2 L'eventuale responsabilità del Venditore sarà, in ogni caso, limitata al costo dei prodotti difettosi che hanno dato origine a tale responsabilità così come quantificati dal prezzo netto fatturato all'Acquirente.

ART. 10 - DIRITTI DI PROPRIETA' INDUSTRIALE ED INTELLETTUALE

10.1 I marchi, brevetti, disegni, progetti, prototipi, segreti industriali, know-how così come qualsivoglia relativo diritto di proprietà industriale ed intellettuale sono di titolarità esclusiva di LEUCOS e rimangono di proprietà della stessa anche successivamente alla vendita dei Prodotti.

10.2 L'Acquirente per poter esporre i marchi e/o fregi del Venditore nell'ambito della sua attività deve ricevere per iscritto dal medesimo preventiva autorizzazione.

ART. 11 - RISOLUZIONE DEL CONTRATTO

11.1 Nel caso in cui l'Acquirente non effettui il pagamento entro il termine prescritto o si renda inadempiente in modo continuativo o grave senza porvi rimedio entro 30 (trenta) giorni lavorativi decorrenti dalla diffida inviata da LEUCOS, il Venditore potrà immediatamente risolvere il contratto, salvo ed impregiudicato ogni ulteriore diritto.

11.2 In ogni caso, LEUCOS potrà immediatamente risolvere il contratto, nel caso di dichiarazione di fallimento dell'Acquirente, liquidazione, sospensione dei pagamenti o pignoramento, insolvenza ovvero ogni altra situazione che possa incidere sull'adempimento dell'Acquirente.

ART. 12 - FORZA MAGGIORE

12.1 Se l'esecuzione del contratto o di ogni altra obbligazione (diversa dal pagamento) è ostacolata, limitata ovvero impedita da eventi di forza maggiore che persistano per più di 3 (tre) mesi, ciascuna parte potrà risolvere il contratto, senza responsabilità alcuna.

12.2 Per "Evento di forza maggiore" si intende ogni evento al di là del ragionevole controllo della parte interessata, inclusi, senza limitazione alcuna, sciopero, serrata, boicottaggio, guerra, insurrezione, guerra civile, atto vandalico, adeguamento a leggi o disposizioni governative, norme, regolamenti o direttive, incidente, guasto agli impianti o macchinari, incendio, inondazione, difficoltà, ovvero aumento dei costi della manodopera o dei trasporti nonché qualsivoglia altra circostanza in grado di compromettere la fornitura dei Prodotti.

12.3 La parte interessata informerà direttamente l'altra parte del verificarsi dell'evento di forza maggiore di cui abbia avuto conoscenza e che ritenga possa compromettere l'esecuzione del contratto.

ART. 13 - TRATTAMENTO DEI DATI PERSONALI

13.1 dati personali dell'Acquirente saranno trattati secondo quanto disposto dalla legge italiana in materia di trattamento dei dati personali (decreto legislativo n. 196/2003). Il Venditore informa l'Acquirente che il Venditore è il titolare del trattamento e che i dati personali dell'Acquirente vengono raccolti e trattati esclusivamente per l'esecuzione del contratto.

13.2 Per qualsivoglia ulteriore informazione si fa riferimento all'informativa sulla privacy presente nel sito www.leucos.com.

ART. 14 - COMUNICAZIONI

Fatta eccezione per le informazioni di carattere operativo, tutte le comunicazioni saranno trasmesse per iscritto, via fax, lettera raccomandata a/r o P.E.C. o corriere espresso a: LEUCOS, via del Commercio 22, 36060 Romano d'Ezzelino (VI) ITALY; PEC: clannsr@legalmail.it

ART. 15 - LEGGE APPLICABILE E FORO COMPETENTE

15.1 Le presenti Condizioni Generali di Vendita LEUCOS, così come ogni relativo contratto di compravendita ed ogni questione che trae origine dagli stessi ovvero connessa, sarà disciplinata, interpretata, eseguita e retta dalla legge ed i regolamenti italiani in vigore, con espressa esclusione della Convenzione di Vienna del 1980 relativa ai contratti di vendita internazionale di beni.

15.2 Qualsiasi controversia insorta tra le parti a seguito dell'interpretazione, validità o esecuzione delle presenti Condizioni Generali di Vendita LEUCOS e dei relativi contratti stipulati sarà devoluta alla competenza esclusiva del Tribunale di Venezia, ogni altro Foro escluso.

15.3 Resta inteso tra le parti che soltanto il Venditore, a propria discrezione, avrà la facoltà di rinunciare alla competenza del Foro esclusivo, di cui al punto 15.2 che precede, per agire in giudizio nei confronti dell'Acquirente, al suo domicilio e presso il Tribunale ivi competente.

ART. 16 - DISPOSIZIONI FINALI

16.1 Diritti e obblighi derivanti dalle presenti Condizioni Generali di Vendita LEUCOS e i relativi contratti di compravendita non potranno essere ceduti senza il previo consenso scritto del Venditore.

16.2 L'invalidità in tutto o in parte di singole disposizioni delle presenti Condizioni Generali di Vendita LEUCOS non inficia la validità delle restanti previsioni.

16.3 I diritti o rimedi di LEUCOS previsti dalle presenti Condizioni Generali di Vendita LEUCOS non pregiudicano qualsivoglia altro diritto o rimedio disposto dalla legge applicabile.

16.4 Il difetto o il ritardo da parte di LEUCOS nell'esercizio dei propri diritti non costituisce rinuncia o perdita di tale diritto.

16.5 La rubricazione degli articoli delle presenti Condizioni Generali LEUCOS in alcun modo potrà essere interpretata quale limitazione ovvero estensione della portata del contenuto della particolare sezione alla quale si riferisce.

16.6 Le presenti Condizioni Generali di Vendita LEUCOS sono redatte in duplice lingua italiana e inglese. In caso sorgessero dubbi interpretativi prevarrà la versione in italiano.

16.7 Le presenti Condizioni Generali di Vendita LEUCOS entrano in vigore dal 29 marzo 2019 e sostituiscono le precedenti.

16.8 In caso di giustificato motivo, i resi di merce dovranno comunque essere autorizzati per iscritto dall'ufficio commerciale del Venditore, che comunicherà le istruzioni cui attenersi. Condizioni Generali di Vendita LEUCOS e i relativi contratti di compravendita non potranno essere ceduti senza il previo consenso scritto del Venditore.

16.9 L'invalidità in tutto o in parte di singole disposizioni delle presenti Condizioni Generali di Vendita LEUCOS non inficia la validità delle restanti previsioni.

Ai sensi e per gli effetti di cui agli articoli 1341 e 1342 del Codice Civile, l'Acquirente dichiara di approvare espressamente le seguenti clausole delle Condizioni Generali di Vendita LEUCOS: 1.3 (aspetti generali); 3 (conclusione del contratto); 6 (termini di consegna); 8.5 - 8.6 (termini di garanzia); 9 (limitazione della responsabilità); 15 (legge applicabile e foro competente); 16 (disposizioni finali).



The list prices are inclusive of the charges introduced by the law by decree dated 25th July 2005, n. 151 (Regulations 2002/95/CE, 2002/96/CE e 2003/108/CE relative to the use reduction of dangerous substances in the electrical and electronic equipment (AEE) as well as to the waste disposal). WEEE: Waste of electrical and electronic equipment.

I prezzi indicati nel presente listino sono inclusi da oneri introdotti dal decreto legislativo 25 luglio 2005, n. 151 (attuazione delle direttive 2002/95/CE, 2002/96/CE e 2003/108/CE, relative alla riduzione dell'uso di sostanze pericolose nelle apparecchiature elettriche ed elettroniche (AEE), nonché allo smaltimento dei rifiuti). RAEE: Rifiuti di apparecchi elettrici ed elettronici = WEEE: Waste of electrical and electronic equipment.

LEUCOS

You spot it from afar

LEUCOS SRL

Via del Commercio, 22
36060 Romano d'Ezzelino
(VI) ITALY

+39 041 5741 111

info.it@leucos.com

LEUCOS USA Inc.

11 Mayfield Avenue
Edison NJ, 08837

USA

+1 (732) 225-0010

info.us@leucos.com

www.leucos.com

LEUCOS